



Industrial Wireless Access Point

Quick Install Guide

Version 1.0

Introduction

WAP-5xxx series is a reliable 802.11b/g WLAN with 2 ports LAN Access Point. It can be configured to operate in AP/Bridge/Repeater mode. Users are able to configure WAP series by Window utility or WEB interface via LAN port or WLAN interface. WAP series provides dual Ethernet ports in switch mode, so that users can use Daisy Chain to reduce the usage of Ethernet switch ports. In addition, WAP-5002P also provides PD feature on ETH2 which is fully compliant with IEEE802.3af P.O.E. specification. Therefore, WAP series is the best communication solution for wireless application.

WAP-5002P Support PD

WAP-5002P supports PD at ETH2 and converts the electrical power up to 8 Watts. This feature is fully compliant with IEEE802.3af specification and provides 1KV isolating protection. This PD feature enables WAP-5002P to speed up the installation of equipment and extend the range of layout to a maximum of 100 meters without additional power source. Therefore, WAP-5002P is the best WLAN AP solution for P.O.E. PD application.

Security management by HTTPS & SSH

WAP-5002/WAP-5002P supports HTTPS & SSH protocol over LAN or WLAN to assure the data security when users make configuration remotely.

High Speed and High Security Capability

With IEEE802.11b/g dual mode capability, WAP-5002/WAP-5002P is able to operate with a maximum link speed of 54Mbps to maximize the capacity of communication channel. The security standards include WEP, WPA, WPA2, 802.1X, Radius and TKIP. These various kinds of security standards for WLAN are also configurable to ensure the security of data transmission.

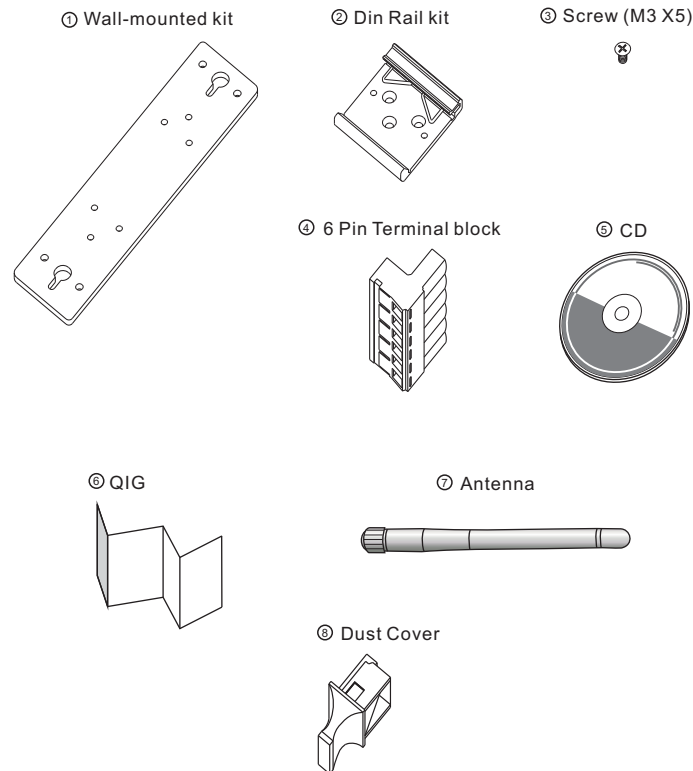
Features

- High Speed Air Connectivity: WLAN interface support up to 54Mbps link speed
- Highly Security Capability: WEP/WPA/WPA2/802.1X/Radius/TKIP supported
- Support AP/Bridge/Repeater Mode
- Switch Mode Supported: Daisy Chain support to reduce usage of switch ports
- Redundant Power Inputs: 12~48VDC on terminal block
- Fully Compliant with IEEE802.3af (Power Device at ETH2, WAP-5002P only)
- Secured Management by HTTPS and SSH
- Event Warning by Syslog, Email, SNMP Trap, Relay and Beeper

Package List

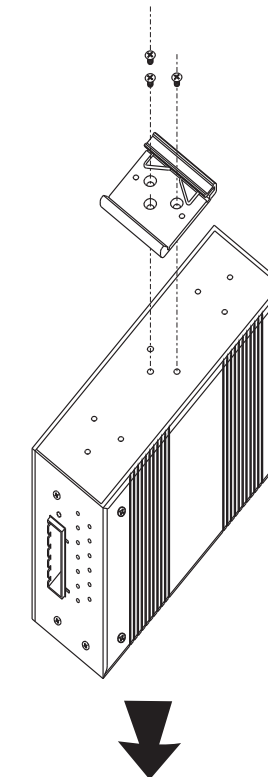
Model Name	Description	Accessory
WAP-5002	Industrial 802.11b/g Wireless LAN Access Point with 2-port LAN	⊙X 1, ⊙X 1, ⊙X 6, ⊙X 1, ⊙X 1, ⊙X 1, ⊙X 1, ⊙X 2
WAP-5002P	Industrial 802.11b/g Wireless LAN Access Point with 1-port LAN and 1-port P.O.E. PD	⊙X 1, ⊙X 1, ⊙X 6, ⊙X 1, ⊙X 1, ⊙X 1, ⊙X 1, ⊙X 2

Accessory

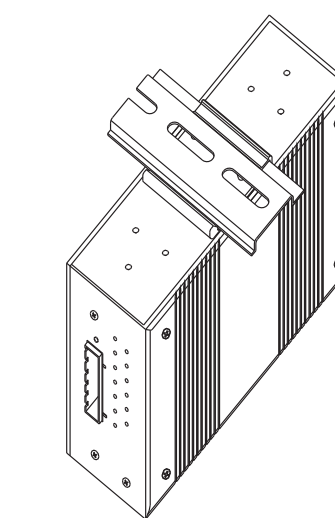
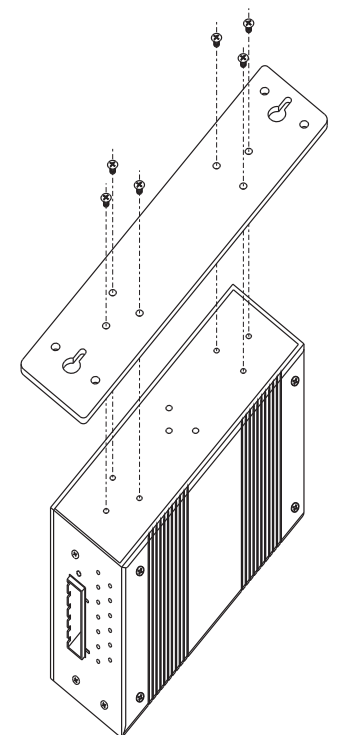


Installation

DIN-Rail Install Step



Wall-mounted Install Step



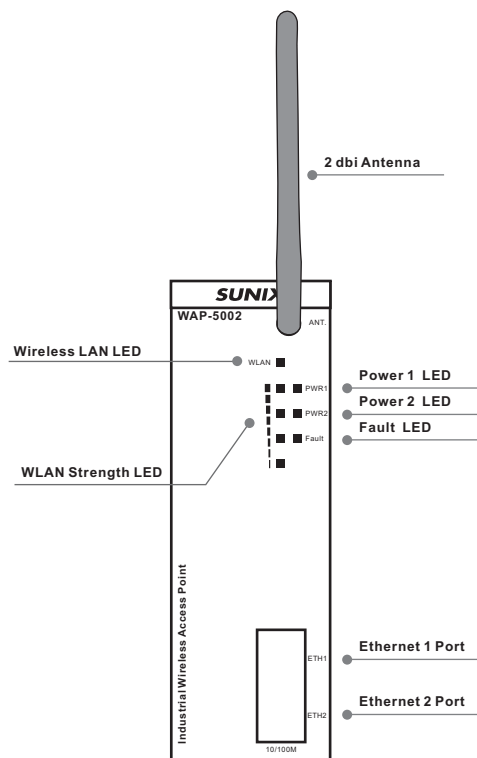


Industrial Wireless Access Point

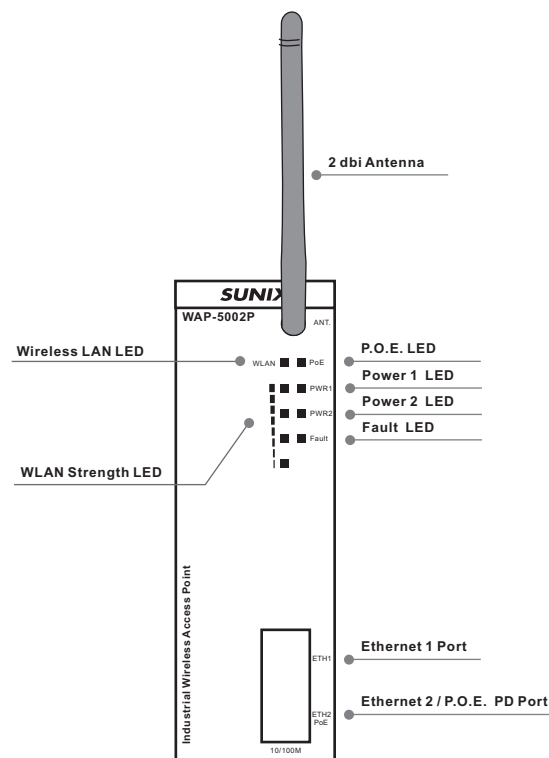
Quick Install Guide

Version 1.0

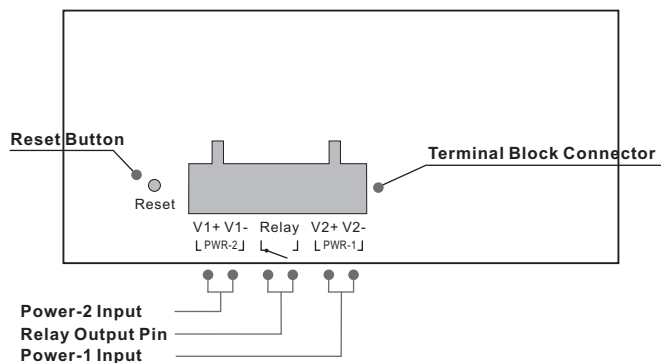
WAP-5002 Front Hardware Guide



WAP-5002P Front Hardware Guide



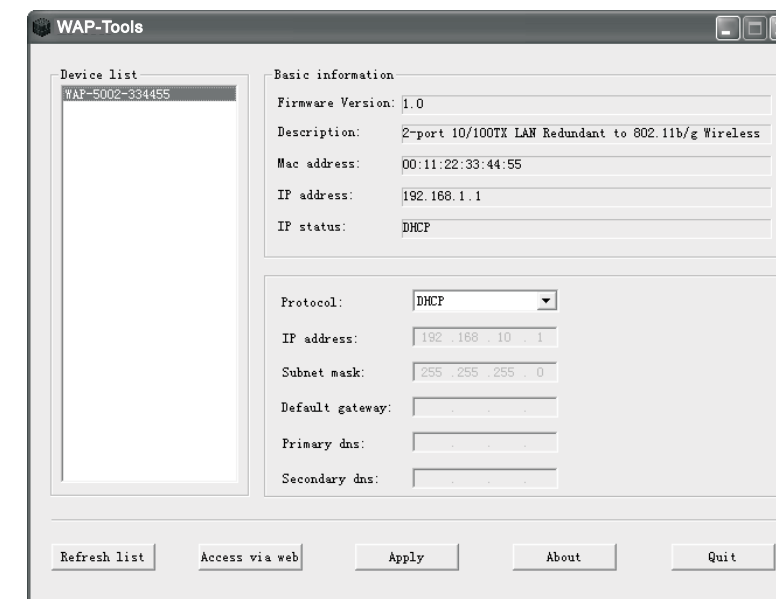
Power Connection Guide



WAP-Tools Management Utility

You can search the WAP-5002/WAP-5002P in local area network with Windows utility which can be found in the CD. Please follow the step below to setup the equipment.

- Step 1. Start up the Windows utility "WAP-Tools.exe"
- Step 2. Click "Refresh list" button, the AP device will show on the list.
- Step 3. Configure the IP address manually.



Copyright© by SUNIX Co, LTD.
All rights reserved.



TEL: +886-2-8913-1987
FAX: +886-2-8913-1986

Website: www.sunix.com.tw
E-mail: info@sunix.com.tw