

How to use S232 box to monitor your valued data

Introduction:

In our office we may use printer to print valued paper (ex, salary check) or important document. We may need to prohibit illegal usage or double check the data integrity. So we will monitor and record the data to printer.

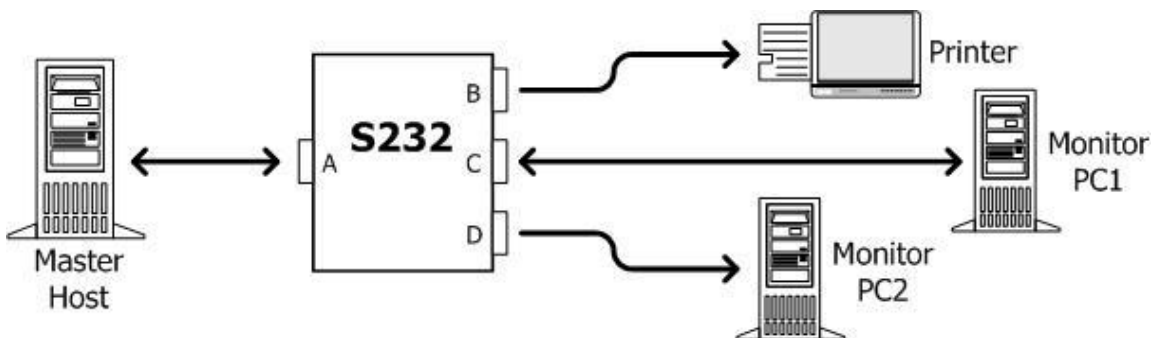
We will introduce one company to use S232 box in such application.

S232 box function:

S232 box is one serial port sharer. There are one master RS232 serial port A and three slave RS232 serial port B, C, D. Any data received in master serial port A will be retransmitted in slave serial port B, C, D simultaneously. Any data received in slave port B, C, D (only one slave can receive data in one time point) will be retransmitted in master serial port A.

Application environment:

Originally they have one master host computer to connect with printer directly. Now they need to use two extra computers to monitor and record the data printed. Now we will connect master host computer to master serial port A of S232 box. Printer is connected to slave port B of S232 box. Two monitor's PCs are connected to port C and D of S232 box.



Now any data transmitted to printer will be sent to two monitor's PC simultaneously. So we can monitor and record all printed data in both PC.

Originally they just record the printed data in monitor PC. When there are something wrong in printed paper. We can check the record data in both monitor's PC. Then we can analyze the possible reason for error condition.

Later they find monitor PC may not connect to S232 box by mistake or purposely. We will send heart data from monitor PC to master host computer periodically. So master host computer will check this condition to confirm monitor PC connected to S232 box. Then we can confirm that any data printed in printer will be recorded in monitor PC.

Conclusion:

When we use S232 box to transmit same data to different serial port simultaneously, we can confirm such printed procedure monitored and recorded. When you have networked environment. It is very important for you to promise printed data is same as your transmitted data. When you have printed data with different result. How can you find the possible reason? You may send the wrong data from your computer. You may have wrong data received in network. You may send wrong data to your printer. Your printer may have bug. Now we can use monitored data to find possible reason. Because we may not have such wrong condition found repeatedly. If we did not use S232 box to monitor and record printed data, then you may not know the possible reason easily. You may just skip such condition.

If you had more application consideration, please mail to rayon@misl.hinet.net for fully support.