



ADLINK
TECHNOLOGY INC.

PCI-7260

8-CH High-Power Relay Outputs &
8-CH Isolated Digital Inputs Card
User's Manual

Manual Rev. 2.01
Revision Date: July 22, 2005
Part No: 50-15050-1000



Recycled Paper

Advance Technologies; Automate the World.



Copyright 2005 ADLINK TECHNOLOGY INC.

All Rights Reserved.

The information in this document is subject to change without prior notice in order to improve reliability, design, and function and does not represent a commitment on the part of the manufacturer.

In no event will the manufacturer be liable for direct, indirect, special, incidental, or consequential damages arising out of the use or inability to use the product or documentation, even if advised of the possibility of such damages.

This document contains proprietary information protected by copyright. All rights are reserved. No part of this manual may be reproduced by any mechanical, electronic, or other means in any form without prior written permission of the manufacturer.

Trademarks

Product names mentioned herein are used for identification purposes only and may be trademarks and/or registered trademarks of their respective companies.

Getting Service from ADLINK

Customer Satisfaction is top priority for ADLINK Technology Inc. Please contact us should you require any service or assistance.

ADLINK TECHNOLOGY INC.

Web Site: <http://www.adlinktech.com>
 Sales & Service: Service@adlinktech.com
 TEL: +886-2-82265877
 FAX: +886-2-82265717
 Address: 9F, No. 166, Jian Yi Road, Chungho City,
 Taipei, 235 Taiwan

Please email or FAX this completed service form for prompt and satisfactory service.

Company Information	
Company/Organization	
Contact Person	
E-mail Address	
Address	
Country	
TEL	FAX:
Web Site	
Product Information	
Product Model	
Environment	OS: M/B: CPU: Chipset: Bios:

Please give a detailed description of the problem(s):



Table of Contents

1	Introduction	1
1.1	Features	2
1.2	Applications	3
1.3	Specifications	4
1.4	Software Support	6
	Programming Library	6
	DAQ-LVIEW PnP	6
2	Installation	7
2.1	What you have	7
2.2	Unpacking	7
2.3	PCB Layout	8
2.4	AC/non-AC filter setting (JP1)	9
2.5	Isolated digital input connector (JP2)	10
2.6	Relay status output connector (JP3)	11
2.7	Board ID (S1)	12
2.8	Initial state DIP switch (S2)	13
2.9	Emergency shutdown state DIP switch (S3)	13
2.10	Connector Pin Assignments (CN1)	14
3	Register Format	15
3.1	I/O Address Map	16
3.2	Relay Output Control Register	17
3.3	WDTimer Load Config Register	18
3.4	Relay Output Read Back Register	19
3.5	Emergency Shutdown Setup Register	20
3.6	Isolated Digital Input Register	21
3.7	COS Setup Register	22
3.8	COS Latch Register	23
3.9	Interrupt / WDT Control Register	24
3.10	Interrupt / EMG_SHDN / WDT Status Register	26
3.11	Handling PCI Controller Registers	27
4	Operation Theorem	29
4.1	Non-Latching Relay Output	29
4.2	Emergency Shutdown	30
4.3	Watchdog Timer	31
4.4	Isolated Digital Input	32

4.5	Interrupt Architecture	33
4.6	Change of State(COS) Interrupt	33
5	C/C++ DOS Libraries.....	35
5.1	Programming Guide.....	35
	Naming Convention	35
	Data Types	35
5.2	_7260_Initial	36
	@ Description	36
	@ Syntax	36
	@ Argument	36
	@ Return Code	36
5.3	_7260_DO	37
	@ Description	37
	@ Syntax	37
	@ Argument	37
	@ Return Code	37
5.4	_7260_DO_Read_Back.....	38
	@ Description	38
	@ Syntax	38
	@ Argument	38
	@ Return Code	38
5.5	_7260_DI	39
	@ Description	39
	@ Syntax	39
	@ Argument	39
	@ Return Code	39
5.6	_7260_COS_Channel.....	40
	@ Description	40
	@ Syntax	40
	@ Argument	40
	@ Return Code	40
5.7	_7260_COS_Latch	41
	@ Description	41
	@ Syntax	41
	@ Argument	41
	@ Return Code	41
5.8	_7260_INT_Control.....	42
	@ Description	42
	@ Syntax	42

	@ Argument	42
	@ Return Code	43
5.9	_7260_CLR_IRQ	44
	@ Description	44
	@ Syntax	44
	@ Argument	44
	@ Return Code	44
5.10	_7260_GET_IRQ_Status	45
	@ Description	45
	@ Syntax	45
	@ Argument	45
	@ Return Code	45
5.11	_7260_WDTimerSReload_Config	46
	@ Description	46
	@ Syntax	46
	@ Argument	46
	@ Return Code	46
5.12	_7260_EMG_SETUP	47
	@ Description	47
	@ Syntax	47
	@ Argument	47
	@ Return Code	47
5.13	_7260_EmgShdnDipSwitch_status	48
	@ Description	48
	@ Syntax	48
	@ Argument	48
	@ Return Code	48
5.14	_7260_InitDipSwitch_status	49
	@ Description	49
	@ Syntax	49
	@ Argument	49
	@ Return Code	49
6	Appendix	51
6.1	Relay Contact Protection Circuits	51
	RC Circuit	51
	Diode Circuit	52
	Diode & Zener diode Circuit	52
	Varistor Circuit	53

List of Tables

Table 1-1: Digital Input Specifications	4
Table 1-2: Relay Output Specifications	4
Table 1-3: Power Supply Specifications	5
Table 1-4: General Specifications	5
Table 1-5: Power Consumption Specifications	5
Table 2-1: The jumpers and DI channels	9
Table 2-2: Board ID Setting Conditions	12
Table 2-3: Pin Assignment of PCI-7260 CN1	14
Table 3-1: PCI-7260 Register Map	16
Table 3-2: Interrupt Source Set Up	25
Table 5-1: Data Types	35

List of Figures

Figure 2-1: PCI-7260 PCB Layout	8
Figure 2-2: Default Input Signal Jumper Setting	9
Figure 2-3: Isolated Digital Input Connector	10
Figure 2-4: Relay Status Output Connectors	11
Figure 2-5: Board ID setting	12
Figure 2-6: Initial State DIP Switch Setting	13
Figure 2-7: Emergency Shutdown State DIP Switch Setting	13
Figure 4-1: 1 Coil Non-Latching Relay (RESET Condition)	29
Figure 4-2: 7260 Card with EMG_SHDN Trigger.....	30
Figure 4-3: CPLD with WDTimer Function.....	32
Figure 4-4: Photo Coupler.....	32
Figure 4-5: Dry contact	33
Figure 4-6: COS Timing	34

1 Introduction

The PCI-7260 is a high-power non-latching relay actuator and isolated digital input card for industrial automation and machine control.

This PCI-7260 provides 8 high-power non-latching relay outputs and 8 opto-isolated digital inputs. The relay outputs are SPST-NO+SPST-NC (1 Form A 1 Form B) type and each channel is capable to switch up to 5A current at 250VAC or 30VDC. The status of each relay output is indicated by either an on-board LED or an external relay status output channel. When the non-latching relay is in CLOSE condition, the corresponding on-board LED will be turn ON and the corresponding relay status output will be set as HIGH.

All of the digital input channels are identical non-polarity opto-isolated. Each of them is jumper selectable to use a AC filter or non-AC filter. All channels are isolated and therefore are suitable for collecting digital inputs in noisy environments. The function of “Change-of-State” (COS) interrupt is provided, which will generate an interrupt to the host system when any of these digital inputs changes its state.

Some advanced features for industrial applications are designed for the PCI-7260. The emergent shutdown input (EMG_SHDN) on the front panel lets users get back to a safety state set by a DIP switch regardless the system condition. The initial output status when powering on can be also set by a DIP switch. And the built-in watchdog timer guarantees you that all the relays go back to the safety state when your compute halts.

The I/O connectors are also considered. The 18-pin pluggable connector for relay outputs and emergency shutdown on the front panel allows easy wiring and high current carrying. Two extra 20-pin ribbon connectors provide capacities of isolated digital inputs and relay status outputs.

1.1 Features

The PCI-7260 high-power relay outputs and isolated digital inputs card provides the following advanced features:

- ▶ Supports universal 32-bit 3.3V and 5V PCI bus
- ▶ 8-CH high power relay outputs
 - ▷ 5A at 250VAC
 - ▷ 5A at 30VDC
- ▶ 8-CH isolated digital inputs
- ▶ 8-CH relay status outputs
- ▶ 1-CH emergent stop input
- ▶ Pluggable connector for high current input
- ▶ On-board LEDs for relay status display
- ▶ Initial and safety state setting by DIP switches
- ▶ Interrupt generated from
 - ▷ COS (Change of State)
 - ▷ CH0 & CH1 positive edge
- ▶ Built-in watchdog timer
- ▶ Jumper selectable AC-filtered/non-AC-filtered for digital inputs

1.2 Applications

- ▶ Industrial ON/OFF control
- ▶ External high-power relay driving & signal switching
- ▶ Laboratory automation
- ▶ Industrial automation
- ▶ Switch contact status sensing, limit switch monitoring,
- ▶ Cooperating with A/D and D/A cards to implement a data acquisition & control system

1.3 Specifications

Digital input

Input channels	8
Photo-coupler	PC-3H4
Input current	10 mA rated 50 mA max. for isolated input
Input Voltage	Up-to 24 VDC or 24V AC Logic Low: 0~2V Logic High: 5~24V
Input impedance	4.7 K Ω
Input mode	Isolation AC-filter/ Non-AC-filter
Isolated voltage	2,500 Vrms channel-to-system

Table 1-1: Digital Input Specifications

Relay Output

Output channels	8
Relay type	8 Non-latching SPST-NO + SPST-NC
Contact rating	250VAC, 5 A 30VDC, 5A
Breakdown voltage	1000 Vrms (open contacts), for 1 min 2000 Vrms (contacts and coil), for 1 min
Release time	10 ms max.
Operate time	10 ms max.
Contact resistance	30m Ω
Insulation resistance	1000M Ω min. (at 500 VDC)
Life expectancy (min. operations)	> 5 X 10 ⁷ times Mechanical > 10 ⁵ times Electrical
Vibration Resistance	176.4m/s ² (18G), 10 to 55Hz at double amplitude of 3mm
LED indicators	Monitor Contact/Open status of each relay; external LED connectors could be applied
Power supply of Relay	+ 5V from the PCI-Bus

Table 1-2: Relay Output Specifications

Isolated +5V Power Supply

Output Voltage	+5V
Output Current	170mA max. (@ 40°C)

Table 1-3: Power Supply Specifications

General Specifications

Dimension	174.7 mm x 106.7 mm, standard PCI half size
Bus	32-bit PCI bus
Operating temperature	0°C ~ 60°C
Storage temperature	-40°C ~ 80°C
Humidity	5 to 85% non-condensing

Table 1-4: General Specifications

Power Consumption

PCI-7260	+5V @ 510 mA typical 990mA maximum when all relays are acting simultaneously
----------	---

Table 1-5: Power Consumption Specifications

1.4 Software Support

ADLINK provides versatile software drivers and packages for users' different approach to built-up a system. We provide not only the programming library such as DLL for DOS and Windows, but also drivers for many 3rd-party software packages. You may find the programming library and 3rd-party software supports in ADLINK All-in-One CD.

Programming Library

For customers who are writing their own programs with programming languages, we provide function libraries for different operating systems, including:

DOS library

Function library for DOS based on Turbo C. Please refer to chapter 5 for descriptions of functions.

PCIS-DASK

Device driver and library package for Windows 98/NT/2000/XP. The PCIS-DASK is binary compatible across Windows 98, NT, 2000 and XP. That means all applications developed with PCIS-DASK can be migrated to any Windows OS. The developing environment can be VB, VC++, Delphi, BC5, or any Windows programming language that allows DLL invocation. You can find the driver package, user's guide, and function reference of PCIS-DASK are in ADLINK All-in-One CD. Please refer to the manuals in x:\Manual\Software Package\PCIS-DASK\ for more information. (x: denotes your CD-ROM drive)

DAQ-LVIEW PnP

DAQ-LVIEW PnP is the "Plug & Play" VI set to interface with National Instruments LabVIEW under Windows 98/NT/2000/XP. The DAQ-LVIEW PnP is free of charge and included in ADLINK All-in-One CD. Please refer to the manuals in x:\Manual\Software Package\DAQ-LVIEW PnP\ for more information. (x: denotes your CD-ROM drive)

2 Installation

This chapter outlines the contents of package, describes unpacking procedure, and describes how to install PCI-7260 into your host system.

2.1 What you have

In addition to the User's Manual, the package includes the following items:

- ▶ PCI-7260 non-latching relay and digital input cards
- ▶ ADLINK All-in-One CD
- ▶ This User's Manual

If any of these items are missing or damaged, contact your ADLINK dealer. Save the shipping materials and carton in to ship or store the product in the future.

2.2 Unpacking

Your PCI-7260 card contains sensitive electronic components that can be easily damaged by static electricity.

The card should be operated on a grounded anti-static mat. The operator should be wearing an anti-static wristband, grounded at the same point as the anti-static mat.

Inspect the card module carton for obvious damage. Shipping and handling may cause damage to your module. Be sure there are no shipping and handling damages on the module before processing.

After opening the card module carton, extract the system module and place it only on a grounded antistatic surface with component side up.

Again inspect the module for damage. Press down on all the socketed IC's to make sure that they are properly seated. Do this only with the module place on a firm flat surface.

Note: DO NOT APPLY POWER TO THE CARD IF IT HAS BEEN DAMAGED.

You are now ready to install your PCI-7260.

2.3 PCB Layout

The location of connectors, DIP switches and jumpers are shown in Figure 2.1. They are described in the following sections.

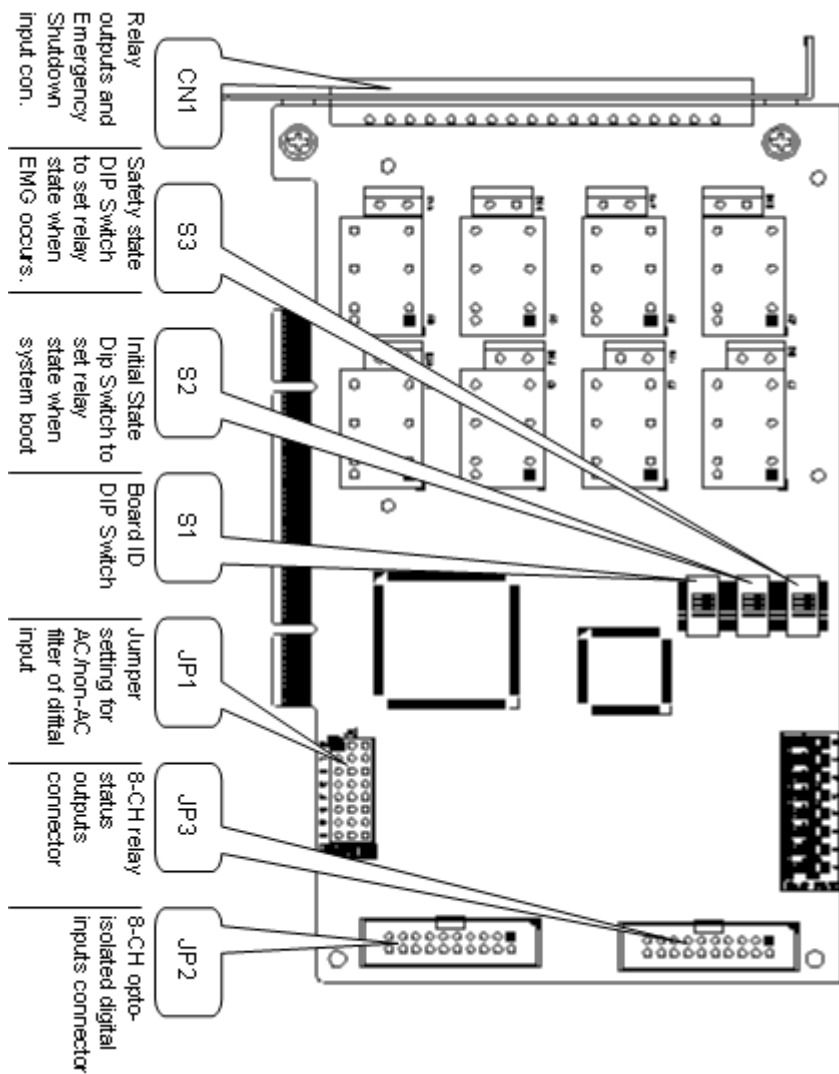


Figure 2-1: PCI-7260 PCB Layout

2.4 AC/non-AC filter setting (JP1)

The PCI-7260 is a 'plug and play' add-on card for PCI bus. It is not necessary for user to setup its base address and IRQ level to fit the hardware of your computer system. However, to fit user's versatile operation, there are still a few jumpers to set for the digital input.

The JP1 on PCI-7260 card are used to configure the digital input channels as AC-Filtered or Non-AC-Filtered inputs. AC-filter is used to filter unexpected noise in the digital signal. Each digital input channel and its corresponding jumper are shown in the following Table2.1.

JUMPER	INPUT SIGNAL
JP1	D10 ~ D17

Table 2-1: The jumpers and DI channels

The default setting of the input signal selection is Non-AC-Filtered (DC signal input), which is shown as below :



Figure 2-2: Default Input Signal Jumper Setting

2.5 Isolated digital input connector (JP2)

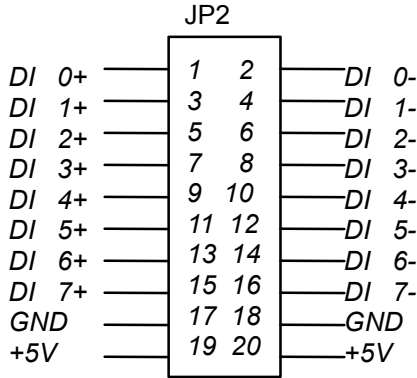


Figure 2-3: Isolated Digital Input Connector

The PCI-7260 card contains 8 opto-isolated digital input channels. Utilizing the 20-pin ribbon connector (JP2), users can connect digital inputs to the isolated channels of PCI-7260.

Each row of JP2 corresponds to one of the eight DI channels. The corresponding channel connection is shown in Figure 2.3. The digital input channels are isolated by photo couplers and accept 0~24V input voltage. The logic high is 5~24V and the logic low is 0~2V.

2.6 Relay status output connector (JP3)

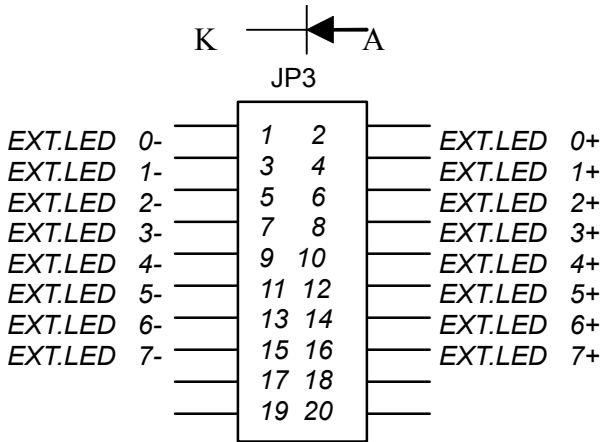


Figure 2-4: Relay Status Output Connectors

The PCI-7260 card has 8 on-board LEDs to indicate the operation status of the relay outputs. In addition, PCI-7260 also has 8 relay status output channels for users who need external relay status indicators. Utilizing 20-pin ribbon connector (JP3), users can have their relays status shown outside the chassis. The relay status outputs support LEDs which have forward voltage (V_f) lower than 3V and power consumption lower than 15mA. Each relay output channel has a current limiting resistor (330Ω) connected with +5V power, so users do not need to add a resistor to limit the current flow through LED.

The direction of the external LED's connection is shown in Figure 2.4. Before you connect LEDs on JP3 connectors, make sure the LEDs are in the right direction.

2.7 Board ID (S1)

When users need more than two pieces of PCI-7260 plugged in one host system, board ID is an effective mechanism to identify the card. Users can set board ID to different PCI-7260 via the on-board DIP switch (S1) so that they can access the card correctly in their programs. For more details about using Board ID in your program, please refer to Chapter 5.

Table 2.2 shows all conditions of the board ID setting .

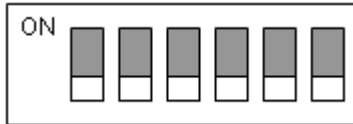


Figure 2-5: Board ID setting

Board ID	Switch No.				
	1	2	3	4	5
0	1	1	1	1	1
1	0	1	1	1	1
2	1	0	1	1	1
3	0	0	1	1	1
4	1	1	0	1	1
5	0	1	0	1	1
.....
23	0	0	0	1	0
24	1	1	1	0	0
25	0	1	1	0	0
26	1	0	1	0	0
27	0	0	1	0	0
28	1	1	0	0	0
29	0	1	0	0	0
30	1	0	0	0	0
31	0	0	0	0	0

Table 2-2: Board ID Setting Conditions

Note: 1=on, 0=off

2.8 Initial state DIP switch (S2)

When host system powers on, PCI-7260 will set the status of relay outputs to the initial state set by initial state DIP switch (S2). When the DIP switch is ON, the corresponding relay will be CLOSED when power on. When the DIP switch is OFF, the corresponding relay will be OPENED when power on. The default setting is ALL OFF.



Figure 2-6: Initial State DIP Switch Setting

2.9 Emergency shutdown state DIP switch (S3)

When Emergency Shutdown input (from CN1) is set to HIGH, PCI-7260 will switch the relay outputs to the state set by emergency shutdown state DIP switch (S3). The transaction is done by on-board CPLD circuit and is irrelevant to host system. When the DIP switch is ON, the corresponding relay will be CLOSED when emergency shutdown. When the DIP switch is OFF, the corresponding relay will be OPENED when emergency shutdown. The default setting is ALL OFF.



Figure 2-7: Emergency Shutdown State DIP Switch Setting

2.10 Connector Pin Assignments (CN1)

The PCI-7260 card is equipped with a 18-pin pluggable connector (CN1) on the front panel to provide relay outputs and emergency shutdown input. The pin assignment of CN1 is described in Table 2-3.

NO0
COM0
NO1
COM1
NO2
COM2
NO3
COM3
NO4
COM4
NO5
COM5
NO6
COM6
NO7
COM7
EMG_SHDN+
EMG_SHDN-

Table 2-3: Pin Assignment of PCI-7260 CN1

Legend:

NO x	Normal open pin of channel x, x=0~7
COM x	Common pin of channel x, x=0~7
EMG_SHDN+	Emergency shutdown input +
EMG_SHDN-	Emergency shutdown input -

3 Register Format

The detailed descriptions of the register format are specified in this chapter. This information is quite useful for the programmers who want to handle the card by low-level programming. However, we suggest user understand more about the PCI interface before starting low-level programming.

3.1 I/O Address Map

The 7260 registers are all 16-bit wide. Users can access these registers only by 16 bits I/O instructions. The control of the relays and status of the isolation input is by means of accessing registers. The following table shows the register map, including descriptions and their offset addresses relative to the base address.

Offset	Write	Read
0x00h	Relay Output CH. 0~7	Relay Output Read back CH.0~7
0x02h	WDTimer Load Config	Emergency Shut Down Dip Switch State
0x04h	Emergency Shut Down Setup Register (EMG_SHDN)	Isolated Input CH. 0~7
0x06h	COS Setup Register	COS Latch Register
0x08h	Interrupt / WDT Control Register	Interrupt / EMG_SHDN / WDT Status Register
0x0Ah	---	Initial Dip Switch State

Table 3-1: PCI-7260 Register Map

3.2 Relay Output Control Register

There are 8 non-latching relays on each PCI-7260 board. Each non-latching relay is controlled by each bit of the control register. The setting “1” means the non-latching relay is in RESET condition. Under the RESET condition, the normal open(NO) signal line is ‘open’ from the common(COM) line and the normal close(NC) signal line is connected with the common line. The setting “0” means the normal open signal line is now closed, while the NC signal is open.

For more information about the non-latching relay and software function library, please refer to sections 4.1 and 5.3, respectively.

Address: BASE + 0x00

Attribute: Write

7	6	5	4	3	2	1	0
DO7	DO6	DO5	DO4	DO3	DO2	DO1	DO0
15	14	13	12	11	10	9	8
---	---	---	---	---	---	---	---

3.3 WDTimer Load Config Register

Watch Dog Timer Asynchronous load input. Asynchronously loads the counter with the value on the data written in the follow address. The corresponding hexadecimal value setted by user determines WDTimer overflow time. The overflow time is calculated by the value that users set (Cnt_value) multiplied 1/2048 ms.

Address:BASE + 0x02

Attribute: Write

7	6	5	4	3	2	1	0
WDT Data7	WDT Data6	WDT Data5	WDT Data4	WDT Data3	WDT Data2	WDT Data1	WDT Data0
15	14	13	12	11	10	9	8
WDT Data15	WDT Data14	WDT Data13	WDT Data12	WDT Data11	WDT Data10	WDT Data9	WDT Data8

3.4 Relay Output Read Back Register

The status of the non-latching relay can be readback from the readback register. If the relay is in RESET condition, the corresponding bit value is '0'. If the relay is in SET condition, the bit value is '1'.

Address: BASE + 0x00

Attribute: Read

7	6	5	4	3	2	1	0
RBK7	RBK6	RBK5	RBK4	RBK3	RBK2	RBK1	RBK0
15	14	13	12	11	10	9	8
---	---	---	---	---	---	---	---

RBKx: Read back data of relay x, x=0~7

1: relay is in SET status

0: relay is in RESET status

3.5 Emergency Shutdown Setup Register

The emergency shut down setup register allow user to enable or disable the emergency stop function and clear EMG_SHDN status.

The default Emg_SHDN enable value is “1”. When The bit 0 value “1” means the function is enable and “0” menas that is disable.

When Emergency Shutdown’s Input Pin (from the terminal connector) is one shot high, it will force PCI7260 enter the state of “SHDN”(Relay Output pattern is determined on EMG_SHDN Dip Swith(S3)). Whenever the users wants to control the relay output by “Relay Output Control Register”, the relay pattern won’t change until users access the “EMG_SHDN Recovery bit”.

Address: BASE + 0x04

Attribute: Write

7	6	5	4	3	2	1	0
Recovery	---	---	---	---	---	---	EMG_EN
15	14	13	12	11	10	9	8
---	---	---	---	---	---	---	---

EMG_EN: Emergency shutdown enable

1: emergency shutdown is enable

0: emergency shutdown is disable

Recovery: Emergency shutdown status recovery

1: EMG SHDN Status is clear

0: No effects

3.6 Isolated Digital Input Register

There are 8 isolated input channels on PCI-7260 card. The status of the 8 channels can be read from the isolated input register. Each bit corresponds to each channel. The bit value “1” means the input logic is high and “0” means the input logic is low.

Address: BASE + 0x04

Attribute: Read

7	6	5	4	3	2	1	0
DI7	DI6	DI5	DI4	DI3	DI2	DI1	DI0
15	14	13	12	11	10	9	8
---	---	---	---	---	---	---	---

DIx: isolated digital input channel x, x=0~7

1: input voltage is in high level

0: input voltage is in low level

3.7 COS Setup Register

The PCI-7260 provides a Change-of-State(COS) interrupt function on any one of digital input channel. This function allows users to monitor the status of input channels. By enabling the COS Setup registers, it will generate an interrupt when the corresponding channel changes its state, whether a rising edge signal or a falling edge signal. For more detailed information, please refer to Section 4.4.

Address: BASE + 0x06

Attribute: Write

7	6	5	4	3	2	1	0
COS SET7	COS SET6	COS SET5	COS SET4	COS SET3	COS SET2	COS SET1	COS SET0
15	14	13	12	11	10	9	8
---	---	---	---	---	---	---	---

COS SETx: change-of-state setup of DI channel x,
 x=0 ~7

1: enable the COS interrupt

0: disable the COS interrupt

3.8 COS Latch Register

When COS occurs, the COS Latch register will also latch the DI data. Once the user clear the interrupt request, the COS Latch register will be cleared automatically. The COS function releases the CPU from the burden of polling all of the input channels, and enables the computer to handle higher I/O performance.

Address: BASE + 0x06

Attribute: Read

7	6	5	4	3	2	1	0
CL7	CL6	CL5	CL4	CL3	CL2	CL1	CL0
15	14	13	12	11	10	9	8
---	---	---	---	---	---	---	---

CL x: COS latch register of DI channel x, x = 0 ~ 7

1: digital input voltage is in high level

0: digital input voltage is in low level

3.9 Interrupt / WDT Control Register

There are three different interrupt modes in PCI-7260. In the first mode, users enable the COS interrupt function to monitor the enabled input channel's status whenever the status changes from 0 to 1 or 1 to 0. In the second mode, users can select digital input channel 0, channel 1 or both channels as the interrupt sources. In this mode, interrupt only asserts when the DI status changes from 0 to 1, i.e., rising edge. In the third mode, users can enable WDTimer and let it count down. The interrupt asserts when WDTimer is overflow. Because the three different modes share the same interrupt signal in hardware, users are not allowed to enable these three modes at the same time.

After processing the interrupt request event, users have to clear the interrupt request in order to handle another interrupt request. To clear the interrupt request, write 1 to the corresponding bit.

Address: BASE + 0x08
 Attribute: Write

7	6	5	4	3	2	1	0
WDT CLR	---	---	---	---	CH1 CLR	CH0 CLR	COS CLR
15	14	13	12	11	10	9	8
WDT Int_EN	---	---	---	---	CH1 Int_EN	CH0 Int_EN	COS Int_EN

COS CLR (bit 0): write 1 to clear the COS interrupt.
 1 : clear the COS interrupt
 0 : no effect

CH0 CLR (bit 1): write 1 to clear DI channel 0 interrupt.
 1 : clear DI channel 0 interrupt
 0 : no effect

CH1 CLR (bit 2): write 1 to clear DI channel 1 interrupt.
 1 : clear DI channel 1 interrupt
 0 : no effect

WDT CLR (bit 7): write 1 to clear WDT interrupt.
 1 : clear WDT interrupt
 0 : no effect

COS Int_EN (bit 8): Write/Read
 Change-of-State interrupt enable control

```

1 : enable
0 : disable
CH0 Int_EN (bit 9): Write/Read
    DI channel 0 interrupt enable control
    1 : enable
    0 : disable
CH1 Int_EN (bit 10): Write/Read
    DI channel 1 interrupt enable control
    1 : enable
    0 : disable
WDT Int_EN (bit 15): Write/Read
    WDTimer counter/interrupt enable control
    1 : enable
    0 : disable

```

The following table shows all possible combinations of interrupt source.

Interupt type	Bit 15	Bit 10	Bit 9	Bit 8	IRQ source	IRQ trigger condition
Disable	0	0	0	0	Interrupt disable	--
Mode 1	0	0	0	1	COS interrupt	Change of state in the enabled channel
Mode 2	0	0	1	0	Ch.0 interrupt enable	Rising edge of DI channel 0
Mode 2	0	1	0	0	Ch.1 interrupt enable	Rising edge of DI channel 1
Mode 2	0	1	1	0	Ch.0 & 1 interrupt enable	Rising edge of DI channel 0 or 1
Mode 3	1	0	0	0	WDTimer Couner interrupt enable	WDTimer is overflow
Forbidden	X	0	1	1	Not allowed (disable)	---

Table 3-2: Interrupt Source Set Up

3.10 Interrupt / EMG_SHDN / WDT Status Register

When interrupt occurs, this register provides information for users to recognize the interrupt status and the interrupt setup condition.

Address: BASE + 0x08

Attribute: Read

7	6	5	4	3	2	1	0
---	---	---	WDT Int Status	EMG SHDN Status	CH1 Int. Status	CH0 Int. Status	COS Int. Status
15	14	13	12	11	10	9	8
---	---	---	WDT Int_EN	EMG EN	CH1 Int_EN	CH0 Int_EN	COS Int_EN

COS Int. Status (bit 0): COS interrupt Status register

0: COS interrupt de-asserts
 1: COS interrupt asserts

CH0 Int. Status (bit 1): Digital input channel 0 interrupt status

0: Ch0 interrupt de-asserts
 1: Ch0 interrupt asserts

CH1 Int. Status (bit 2): Digital input channel 1 interrupt status

0: Ch1 interrupt de-asserts
 1: Ch1 interrupt asserts

EMG SHDN Status (bit 3): Emergency Shutdown status

0: EMG_SHDN de-asserts
 1: EMG_SHDN asserts

CH1 Int. Status (bit 4): WDTimer interrupt status

0: WDTimer interrupt de-asserts
 1: WDTimer interrupt asserts

3.11 Handling PCI Controller Registers

The PCI bus controller adopted in PCI-7260 is PCI-9030 which is provided by PLX technology Inc. When users attempt to handle low-level programming, some registers in PCI-9030 should be noticed. The interrupt control register(INTCSR; 0x4Ch) of PCI-9030 takes charge of all interrupt information from local bus to PCI bus. When users want to develop their own interrupt function driver, both interrupt registers in PCI-9030 and in PCI-7260 have to work together. For more detailed information about the interrupt control register in PCI-9030, please refer to the PCI-9030 databook.

In PCI-7260 software function library, we provide simple and easy-to-use functions to handle the procedure of interrupt. Using these functions, users don't need to care about the interrupt register in PCI controller. We suggest users use these functions instead of developing interrupt functions by themselves. For more information about PCI-7260 function library, please refer to Chapter 5.

4 Operation Theorem

4.1 Non-Latching Relay Output

One of the innovative features on PCI-7260 is the 8-channel non-latching relay output. The PCI-7260 contains only one type of non-latching relay : 1 coil 1 Form A 1 Form B. Figure 4.1 shows the latching relay contact arrangement under RESET condition.

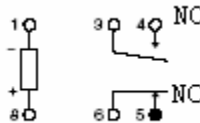


Figure 4-1: 1 Coil Non-Latching Relay (RESET Condition)

Each non-latching relay on PCI-7260 has one coil which controls each non-latching relay, we need only one control bit. What we have to do is to energize and deenergize the coil when switching RESET condition to SET condition. After the contact switches to the opposite position at a steady state, we still can't cut out the current on the coil and the contact will not change. Under the scheme of controlling latching relay, we define the SET condition control bit as "0" and the RESET condition control bit as "1". For more details about the non-latching relay control register, refer to section 3.3.

PCI-7260 also provides a software function for user to control the non-latching relays. Using this function, relay control is as simple as the general relay. Instead of writing 32-bit data to the relay output register, user only needs to prepare 8-bit data and each bit represents a relay's status. Value '0' represents SET condition and value '1' represents RESET condition. For more details about the relay output function library, refer to section 5.3.

The relay output contacts are rated for a maximum of 5A at 250VAC (resistive), or 5A 30VDC. You should reduce these ratings for inductive loads. For more detailed information of relay contact, please refer to Appendix A.

4.2 Emergency Shutdown

In safety-critical applications, users can enable the emergency shutdown function on PCI 7260, to manually set the relay pattern to preset state. To access this function, users must first configure the emergency shutdown function by On Board Switch. Generally the trigger source is on the front panel and connected to a push button, which pulls the SHDNn pin to logic-High when activated. The trigger source can be routed through the Onboard Local Bus.

The default relay pattern for emergency shutdown is All-Off on PCI-7260 switch; users can change the pattern by change the Dip Switch(S3). Upon receiving the emergency shutdown trigger, the Switch Module enters shutdown mode, and the relay pattern is switched to the preset state.

The Emergency Shutdown function operation flow is as follows:

1. Emergency Shutdown button one shot trigger as shown in Figure 4.2

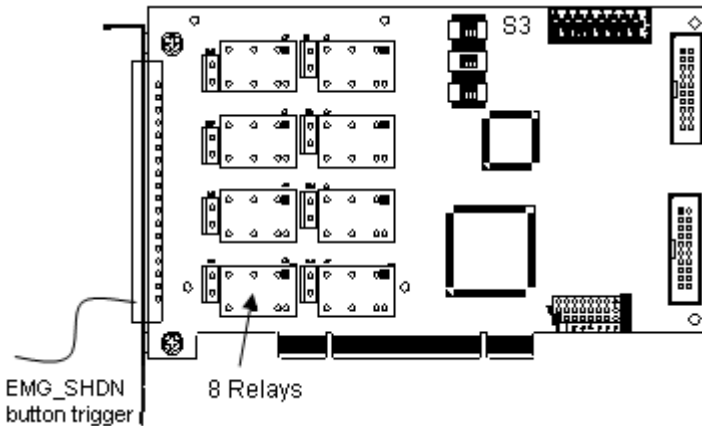


Figure 4-2: 7260 Card with EMG_SHDN Trigger

2. When the trigger is active, the relay output will change corresponding to EMG_SHDN Dip Switch(S3)
3. When entering Emergency Shutdown state, users can not access the relay output pattern until they clear the state through function `_7260_EMG_SETUP()`.

4.3 Watchdog Timer

In safety-critical applications, users can enable the watchdog timer function on PCI 7260 to automatically set the relay pattern to pre-set state, in case the operating system or PCI 7260 crashes. To access this function, users must first configure the watchdog timer overflow counter by windows API. Generally the trigger source would come from the onboard 30-bit watchdog timer.

The watchdog timer overflow interval can be programmed through Windows API. After enabling the watchdog timer, users must periodically reset the timer by software command. If the timer is not being reset within the specified interval, the WDT module will generate an overflow signal and set the relay pattern to the one specified by users. This function is disabled by default. For more information, please refer to the software programming users' guide.

The Watch Dog Timer function operation flow is as follows:

1. Load the WDTimer counter value through the function `_7260_WDTimerSReload_Config()`, this function allows users to set WDTimer overflow time from 32 s to 2 ms.
2. Enable the WDTimer counter to count down through the function `_7260_INT_Control()`, this function allows WDT function in the CPLD (as Figure 4.3) starting to count down. After enabling the function, users must reload WDTimer by step (1) before it overflows. This makes PCI-7260 work normally under WDT monitoring. When it overflows, CPLD interrupt will occurs and emergency shutdown will be active too to make relay output in a safety pattern unless user disable the emergency shutdown function through function `_7260_EMG_SETUP()`.
3. When WDTimer interrupt occurs, users must reload the WDTimer through function `_7260_WDTimerSReload_Config()` to clear WDTimer carry out, and then clear the system interrupt through function `_7260_CLR_IRQ()`. After doing this, the WDTimer will count again unless user disable WDTimer counter.

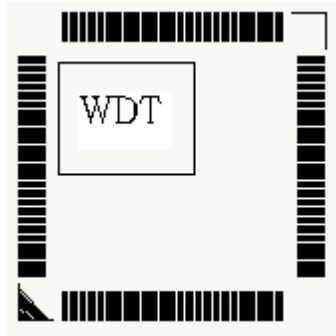


Figure 4-3: CPLD with WDTimer Function

4.4 Isolated Digital Input

The PCI-7260 contains 8 opto-isolated digital input channels. The circuit diagram of the isolated input channel is shown below.

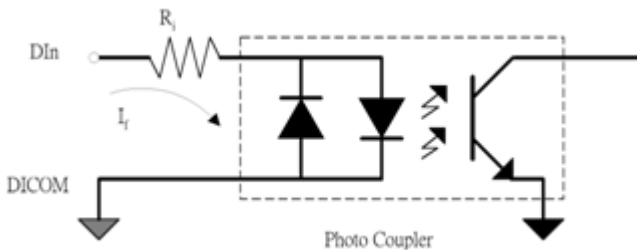


Figure 4-4: Photo Coupler

The digital input is first routed through a photo-coupler (PC3H4), so that the connection are not polarity sensitive whether using positive or negative voltage.

In addition, a first order-filter with time constant about 1.5ms is provided to filter high frequency noise. The normal input voltage range for high state is 5 to 24V.

The PCI-7260 provides an isolated +5V power for dry contact input. When the external circuit has no voltage source(e.g. a switch), users can use the on board +5V to respond the change of

external circuit. The maximum output current of the on board isolated power is 170mA (@40?). Please pay attention to the current consumption of the external circuit not exceeding the limit. The dry contact architecture is shown in Figure 4.3.

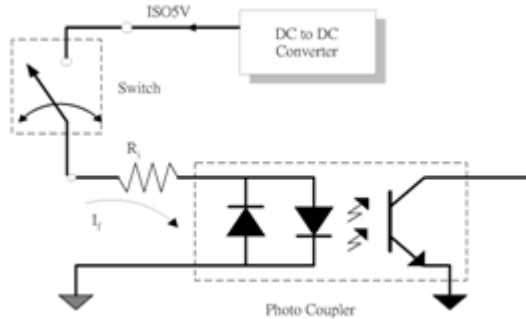


Figure 4-5: Dry contact

4.5 Interrupt Architecture

PCI-7260 has a powerful dual interrupt routing scheme including change-of-state detection and interrupt sources on digital input channel 0 and channel 1. Using these interrupts well can make you handle more complicated information from outside enviroment and release your computer from a heavy burden in dealing with digital input data. Note that the dual interrupts do not mean the card occupies two IRQ levels.

There are two interrupt modes in PCI-7260, but you can only choose one of them at one time. Table3.2 shows all of the combinations of interrupt modes.

4.6 Change of State(COS) Interrupt

What is COS?

The COS (Change of State) means either the input state(logic level) changes from low to high, or from high to low. The COS detection circuit will detect the edge of level change. In the PCI-7260 card, the COS detection circuit is applied to all the input channels. When any channel changes its logic level, the

COS detection circuit generates an interrupt request to PCI controller.

COS Detection

The following timing is an example of COS operation. All of the enabled DI channels' signal level change will be detected to generate the interrupt request.

While the interrupt request generates, the corresponding DI data will also be latched into the COS latch register. In our COS architecture, the DI data are sampled by a 8.25MHz clock. It means the pulse width of the digital input have to last longer than 122 ns, or the COS latch register won't latch the correct input data. The COS latch register will be erased after clearing the interrupt request.

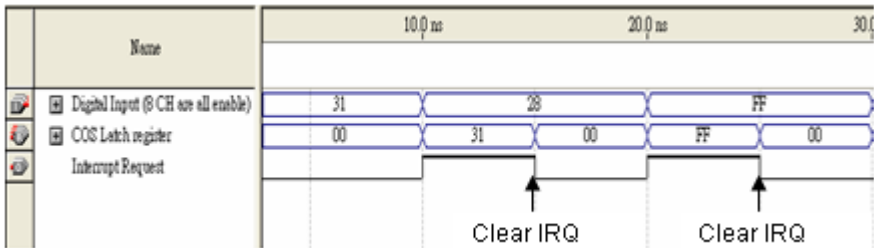


Figure 4-6: COS Timing

5 C/C++ DOS Libraries

5.1 Programming Guide

Naming Convention

The functions of the NuDAQ PCI cards or NuIPC CompactPCI cards' software driver are using full-names to represent the functions' real meaning. The naming conventions are:

```
_{hardware_model}_{action_name}. e.g.  
_7260_Initial().
```

All functions in the PCI-7260 drivers are with 7260 as {hardware_model}.

Data Types

We have defined some data types in `Pci_7260.h`. These data types are used by NuDAQ Cards' library. We suggest you use these data types in your application programs. The following table shows the data type names and their range.

Type Name	Description	Range
U8	8-bit ASCII character	0 to 255
I16	16-bit signed integer	-32768 to 32767
U16	16-bit unsigned integer	0 to 65535
I32	32-bit signed integer	-2147483648 to 2147483647
U32	32-bit single-precision floating-point	0 to 4294967295
F32	32-bit single-precision floating-point	-3.402823E38 to 3.402823E38
F64	64-bit double-precision floating-point	-1.797683134862315E308 to 1.797683134862315E309
Boolean	Boolean logic value	TRUE, FALSE

Table 5-1: Data Types

5.2 _7260 Initial

@ Description

The PCI-7260 cards are initialized according to the card number. Because the PCI-7260 is PCI bus architecture and meets the plug and play design, the IRQ and base_address (pass-through address) are assigned by system BIOS directly. Every PCI-7260 card has to be initialized by this function before using other functions.

@ Syntax

```
U16 _7260_Initial (U16 *existCards, PCI_INFO
                 *pciInfo)
```

@ Argument

existCards: The number of installed PCI-7260 cards. The returned value shows how many PCI-7260 cards are installed in your system.

pciInfo: It is a structure to memorize the PCI bus plug and play initialization information which is decided by p&p BIOS. The PCI_INFO structure is defined in ACL_PCI.H. The base I/O address and the interrupt channel number is stored in pciinfo which is for reference.

@ Return Code

```
ERR_NoError, ERR_PCIBiosNotExist,
ERR_BoardNoInit, ERR_InvalidBoardNumber
```

5.3 _7260_DO

@ Description

This function is used to write data to digital output port which can energize the Non-latching relay coils. You can control all 8 RELAYs through _7260_DO by using this function. Although the register map of latching relays is 32 bit width, we use 8-bit access to control the non-latching relay through this function. Bit '1' represent the RESET condition, and Bit '0' represent the SET condition.

@ Syntax

```
U16 _7260_DO (U16 boardID, U16 doData)
```

@ Argument

boardID: Board ID to the specific board.

doData: value which will be written to digital output port.

@ Return Code

```
ERR_NoError, ERR_BoardNoInit
```

5.4 _7260_DO_Read_Back

@ Description

This function is used to read data back from digital output port control by 7260_DO function. There are 8-bit digital outputs on the PCI-7260. You can get back all RELAYs status (SET or RESET) by using this function.

@ Syntax

```
U16 _7260_DO_Read_Back (U16 boardID, U16  
    *DoReadBackData)
```

@ Argument

boardID: Board ID to the specific board.

DoReadBackData: value read back from digital output port. '0' represents the non-latching relay is under RESET condition and '1' represents the non-latching relay is under SET condition.

@ Return Code

```
ERR_NoError, ERR_BoardNoInit
```


5.5 _7260_DI

@ Description

This function is used to read data from digital input port. There are 8-bit digital inputs on the PCI-7260. You can get all 8 input data by using this function.

@ Syntax

```
U16 _7260_DI (U16 boardID, U16 *diData)
```

@ Argument

boardID: Board ID to the specific board.

diData: return 8-bit value from digital input port.

@ Return Code

```
ERR_NoError, ERR_BoardNoInit
```

5.6 `_7260_COS_Channel`

@ Description

This function is used to enable the COS channel.

@ Syntax

```
U16 _7260_COS_Channel (U16 boardID, U16  
COS_Enable_Data)
```

@ Argument

boardID: Board ID to the specific board.

COS_Enable_Data: COS channel enable. '1' enable the corresponding channel and '0' disable the corresponding channel.

@ Return Code

```
ERR_NoError, ERR_BoardNoInit
```

5.7 _7260_COS_Latch

@ Description

This function is used to latch digital input data after COS interrupt occurs.

@ Syntax

```
U16 _7260_COS_Latch (U16 boardID, U16  
*COS_Latch_Data)
```

@ Argument

boardID: Board ID to the specific board.

COS_Latch_Data: Digital input data when COS occurs. This register will be erased when clearing IRQ.

@ Return Code

```
ERR_NoError, ERR_BoardNoInit
```

5.8 _7260_INT_Control

@ Description

This function is used to control the interrupt source of PCI-7260. For more details about interrupt sources, refer to section 3.7

@ Syntax

```
U16 _7260_INT_Control (U16 boardID, U16
    COS_Enable, U16 CH0_Enable, U16 CH1_Enable,
    U16 WDT_Enable)
```

@ Argument

boardID: Board ID to the specific board.

COS_Enable: COS interrupt function enable/disable.

CH0_Enable: Digital input channel 0 interrupt enable/disable.

CH1_Enable: Digital input channel 1 interrupt enable/disable.

WDT_Enable: Watch Dog Timer interrupt counter enable/disable

The possible combinations of interrupt source are shown in the following table.

WDT_Enable	CH1_Enable	CH0_Enable	COS_Enable	IRQ source	IRQ trigger condition
0	0	0	0	Interrupt disable	--
0	0	0	1	COS interrupt	Change of state in the enabled channel
0	0	1	0	Ch.0 interrupt enable	Rising edge of DI channel 0
0	1	0	0	Ch.1 interrupt enable	Rising edge of DI channel 1
0	1	1	0	Ch.0 & 1 interrupt enable	Rising edge of DI channel 0 & 1
1	0	0	0	WDT interrupt enable	Rising edge of WDT carry out overflow

WDT_Enable	CH1_Enable	CH0_Enable	COS_Enable	IRQ source	IRQ trigger condition
X	0	1	1	Not allowed (disable	---
	1	0			
	1	0			

@ Return Code

ERR_NoError, ERR_BoardNoInit, ERR_INTNotSet

5.9 _7260_CLR_IRQ

@ Description

This function is used to clear the interrupt request of PCI-7260.

@ Syntax

```
U16 _7260_CLR_IRQ (U16 boardID, U16 COS_CLR, U16  
    CH0_CLR, U16 CH1_CLR, U16 WDT_CLR)
```

@ Argument

boardID: Board ID to the specific board.

COS_CLR: Clear COS interrupt request.

CH0_CLR: Clear digital input channel 0.

CH1_CLR: Clear digital input channel 1.

WDT_CLR: Clear Watch Dog Timer interrupt request.

@ Return Code

```
ERR_NoError, ERR_BoardNoInit
```

5.10 _7260_GET_IRQ_Status

@ Description

This function is used to get the interrupt status of PCI-7260.

@ Syntax

```
U16 _7260_GET_IRQ_Status (U16 boardID, U16
    *COS_Status, U16 *CH0_Status, U16
    *CH1_Status, U16 *EMG_SHDN_Status, U16
    *WDT_Status)
```

@ Argument

boardID: Board ID to the specific board.

COS_Status: COS interrupt status.

- ▶ '1' represents interrupt asserts.
- ▶ '0' represents interrupt de-asserts.

CH0_Status: Digital input channel 0 interrupt status. '1' represents interrupt asserts.

- ▶ '0' represents interrupt de-asserts.

CH1_Status: Digital input channel 1 interrupt status. '1' represents interrupt asserts.

- ▶ '0' represents interrupt de-asserts.

EMG_SHDN_Status: Emergency Shutdown status.

- ▶ '1' represents EMG SHDN asserts.
- ▶ '0' represents EMG SHDN de-asserts.

WDT_Status: Watch Dog Timer interrupt status.

- ▶ '1' represents interrupt asserts.
- ▶ '0' represents interrupt de-asserts.

@ Return Code

```
ERR_NoError, ERR_BoardNoInit
```

5.11 _7260_WDTimerSReload_Config

@ Description

This function is used to clear the WDTimer overflow state of PCI-7260 and reload the count value.

@ Syntax

```
U16 _7260_WDTimerSReload_Config (U16 boardID,  
    Int WDT_CountData)
```

@ Argument

boardID: Board ID to the specific board.

WDT_CountData: decimal value from 2 (ms) to 31999 (ms) which will be written to WDT reload value.

@ Return Code

```
ERR_NoError, ERR_BoardNoInit
```


5.12 _7260_EMG_SETUP

@ Description

This function is used to enable/disable the emergency stop function of PCI-7260.

@ Syntax

```
U16 _7260_EMG_EN (U16 cardNo,U16  
EMG_EN_BUTTON,U16 EMG_Recovery)
```

@ Argument

boardID: Board ID to the specific board.

EMG_EN_BUTTON: Emergency Stop enable/disable. '1' represents EMG enable. '0' represents EMG disable.

EMG_Recovery: Emergency Stop status recovery. '1' represents EMG state clear. '0' has no effect.

@ Return Code

```
ERR_NoError, ERR_BoardNoInit
```

5.13 _7260_EmgShdnDipSwitch_status

@ Description

This function is used to read data from emergency shutdown dip switch. There are 8-bit digital inputs on the Emergency shutdown dip switch. You can get all 8 input data by using this function.

@ Syntax

U16 _7260_EmgShdnDipSwitch_status (U16 boardID, U16 *diData)

@ Argument

boardID : Board ID to the specific board.

diData :return 8-bit value from emergency shutdown dip switch.

@ Return Code

ERR_NoError, ERR_BoardNoInit

5.14 _7260_InitDipSwitch_status

@ Description

This function is used to read data from initial state dip switch. There are 8-bit digital inputs on the Initial State dip switch. You can get all 8 input data by using this function.

@ Syntax

```
U16 _7260_DI (U16 boardID, U16 *diData)
```

@ Argument

boardID: Board ID to the specific board.

diData: return 8-bit value from initial state dip switch.

@ Return Code

```
ERR_NoError, ERR_BoardNoInit
```


6 Appendix

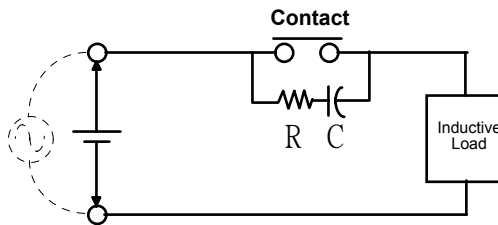
6.1 Relay Contact Protection Circuits

The contacts are the most important elements of relay constructions, Contact performance is conspicuously influenced by contact material, voltage and current values applied to the contacts.

Another important issue is contact protection, a right contact protection circuit can suppress the counter EMF to a low level. However, note that incorrect use will result in an adverse effect. Typical contact protection circuits are given below :

RC Circuit

This circuit is suitable for DC application. If the load is a timer, leakage current flows through the RC circuit causing faulting operation.



The below circuit is suitable for both AC and DC applications. If the load is a relay or solenoid, the release time lengthens. It's effective when connected to both contacts if the power supply voltage is 24V or 48V and the voltage cross the load is 100 to 200V.

Device Selection:

As a guide in selecting R and C,

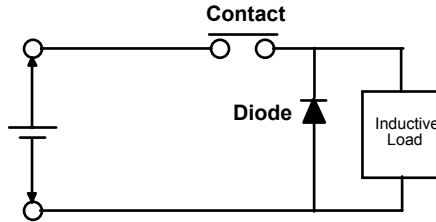
- ▷ R : 0.5 to 1Ω per 1V contact voltage
- ▷ C : 0.5 to 1μF per 1A contact current

Values vary depending on the properties of the capacity C acts to suppress the discharge the moment the contacts open. Resistor R acts to limit the current when the power is turned on the next time.

Test to confirm. Use a capacitor with a breakdown voltage of 200 to 300V. Use AC type capacitors (non-polarized) for AC circuits.

Diode Circuit

This circuit is suitable for DC application. The diode connected in parallel causes the energy stored in the coil to flow to the coil in the form of current and dissipates it as joule heat at the resistance component of the inductive load. This circuit further delays the release time compared to the RC circuit.

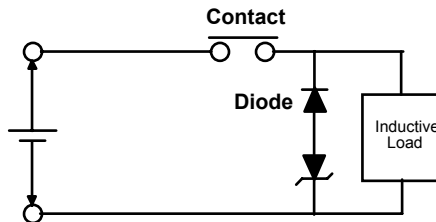


Device Selection:

Use a diode with a reverse breakdown voltage at least 10 times the circuit voltage and a forward current at least as large as the load current. In electronic circuits where the circuit voltages reverse breakdown voltage of above 2 to 3 times the power supply voltage.

Diode & Zener diode Circuit

This circuit is also suitable for DC application. Effective when the release time in the diode circuit is too long.

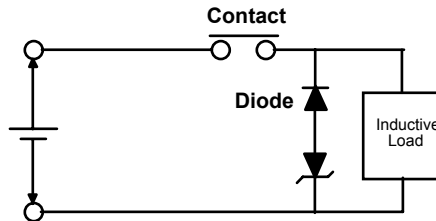


Device Selection:

Use a zener diode with a zener voltage about the same as the power supply voltage.

Varistor Circuit

This circuit is also suitable for both AC & DC applications. Using the stable voltage characteristics of the varistor, this circuit prevents excessively high voltages from being applied across the contacts. This circuit also slightly delays the release time. Effective when connected to both contacts of the power supply voltage is 24 or 48V and the voltage across the load is 100 to 200 V.



Warranty Policy

Thank you for choosing ADLINK. To understand your rights and enjoy all the after-sales services we offer, please read the following carefully.

1. Before using ADLINK's products please read the user manual and follow the instructions exactly. When sending in damaged products for repair, please attach an RMA application form which can be downloaded from: <http://rma.adlinktech.com/policy/>.
2. All ADLINK products come with a two-year guarantee:
 - ▶ The warranty period starts from the product's shipment date from ADLINK's factory.
 - ▶ Peripherals and third-party products not manufactured by ADLINK will be covered by the original manufacturers' warranty.
 - ▶ For products containing storage devices (hard drives, flash cards, etc.), please back up your data before sending them for repair. ADLINK is not responsible for loss of data.
 - ▶ Please ensure the use of properly licensed software with our systems. ADLINK does not condone the use of pirated software and will not service systems using such software. ADLINK will not be held legally responsible for products shipped with unlicensed software installed by the user.
 - ▶ For general repairs, please do not include peripheral accessories. If peripherals need to be included, be certain to specify which items you sent on the RMA Request & Confirmation Form. ADLINK is not responsible for items not listed on the RMA Request & Confirmation Form.

3. Our repair service is not covered by ADLINK's two-year guarantee in the following situations:
 - ▶ Damage caused by not following instructions in the user's manual.
 - ▶ Damage caused by carelessness on the user's part during product transportation.
 - ▶ Damage caused by fire, earthquakes, floods, lightning, pollution, other acts of God, and/or incorrect usage of voltage transformers.
 - ▶ Damage caused by unsuitable storage environments (i.e. high temperatures, high humidity, or volatile chemicals).
 - ▶ Damage caused by leakage of battery fluid during or after change of batteries by customer/user.
 - ▶ Damage from improper repair by unauthorized technicians.
 - ▶ Products with altered and/or damaged serial numbers are not entitled to our service.
 - ▶ Other categories not protected under our warranty.
4. Customers are responsible for shipping costs to transport damaged products to our company or sales office.
5. To ensure the speed and quality of product repair, please download an RMA application form from our company website: <http://rma.adlinktech.com/policy>. Damaged products with attached RMA forms receive priority.

If you have any further questions, please email our FAE staff: service@adlinktech.com.