

NuDAM-6011/ NuDAM-6014D
NuDAM-6012/D NuDAM-6017
NuDAM-6013 NuDAM-6018

Analog Input Modules

User's Guide

@ Copyright 1996~2000 ADLINK Technology Inc.
All Rights Reserved.

Manual Rev. 5.13: August 4, 2000

The information in this document is subject to change without prior notice in order to improve reliability, design and function and does not represent a commitment on the part of the manufacturer.

In no event will the manufacturer be liable for direct, indirect, special, incidental, or consequential damages arising out of the use or inability to use the product or documentation, even if advised of the possibility of such damages.

This document contains proprietary information protected by copyright. All rights are reserved. No part of this manual may be reproduced by any mechanical, electronic, or other means in any form without prior written permission of the manufacturer.

Trademarks

NuDAM is registered trademarks of ADLINK Technology Inc.,

Other product names mentioned herein are used for identification purposes only and may be trademarks and/or registered trademarks of their respective companies.

Getting service from ADLINK

- ◆ **Customer Satisfaction is always the most important thing for ADLINK Tech Inc. If you need any help or service, please contact us and get it.**

ADLINK Technology Inc.			
Web Site	http://www.Adlink.com.tw		
Sales & Service	service@Adlink.com.tw		
Technical	NuDAQ	nudaq@Adlink.com.tw	
Support	NuDAM	nudam@Adlink.com.tw	
	NuIPC	nuipc@Adlink.com.tw	
	NuPRO	nupro@Adlink.com.tw	
	Software	sw@Adlink.com.tw	
	AMB	amb@Adlink.com.tw	
TEL	+886-2-82265877	FAX	+886-2-82265717
Address	9F, No. 166, Jian Yi Road, Chungho City, Taipei, 235 Taiwan, R.O.C.		

- ◆ **Please inform or FAX us of your detailed information for a prompt, satisfactory and constant service.**

Detailed Company Information			
Company/Organization			
Contact Person			
E-mail Address			
Address			
Country			
TEL		FAX	
Web Site			
Questions			
Product Model			
Environment to Use	<input type="checkbox"/> O _____ <input type="checkbox"/> Computer _____ <input type="checkbox"/> M/B: _____ <input type="checkbox"/> CPU: _____ <input type="checkbox"/> Chipset: _____ <input type="checkbox"/> Bios: _____ <input type="checkbox"/> Video Card: <input type="checkbox"/> Network Interface Card: <input type="checkbox"/> Other:		
Challenge Description			
Suggestions for ADLINK			

Table of Contents

CHAPTER 1 INTRODUCTION	1
1.1 ABOUT THE NUDAM ANALOG INPUT MODULES	1
1.2 OVERVIEW OF NUDAM-6011/D.....	1
1.3 OVERVIEW OF NUDAM-6012/D.....	6
1.4 OVERVIEW OF NUDAM-6013	10
1.5 OVERVIEW OF NUDAM-6014D.....	13
1.6 OVERVIEW OF NUDAM-6017	17
1.7 OVERVIEW OF NUDAM-6018	20
CHAPTER 2 INITIALIZATION & INSTALLATION	23
2.1 SOFTWARE INSTALLATION	23
2.2 INITIALIZING A BRAND-NEW MODULE.....	23
2.3 INSTALL A NEW NUDAM TO A EXISTING NETWORK	25
2.4 APPLICATION WIRING FOR NUDAM-601X	26
CHAPTER 3 COMMAND SET.....	31
3.1 COMMAND AND RESPONSE	31
3.2 SUMMARY OF COMMAND SET	33
3.3 SET CONFIGURATION	37
3.4 READ CONFIGURATION	41
3.5 READ MODULE NAME.....	42
3.6 READ FIRMWARE VERSION.....	43
3.7 SOFTWARE RESET	44
3.8 SYNCHRONIZED SAMPLING.....	45
3.9 READ SYNCHRONIZED DATA	46
3.10 READ ANALOG DATA	47
3.11 SPAN CALIBRATION	48
3.12 SPAN CALIBRATION TO EACH CHANNEL	49
3.13 OFFSET CALIBRATION.....	50
3.14 OFFSET CALIBRATION TO EACH CHANNEL	51
3.15 READ ANALOG DATA FROM CHANNEL N.....	52
3.16 READ ALL ANALOG DATA CHANNEL	53
3.17 ENABLE/DISABLE CHANNELS FOR MULTIPLEXING.....	54
3.18 READ CHANNEL STATUS	55
3.19 READ CJC STATUS	56
3.20 ENABLE/DISABLE CJC.....	57

3.21	READ ENABLE/DISABLE CJC STATUS	58
3.22	READ OPEN THERMOCOUPLE DETECTION OF CHANNEL N	59
3.23	ENABLE/DISABLE OPEN THERMOCOUPLE DETECTION	61
3.24	READ SOURCE HIGH/LOW VALUES FOR LINEAR MAPPING	62
3.25	READ TARGET HIGH/LOW VALUES FOR LINEAR MAPPING	63
3.26	WRITE SOURCE HIGH/LOW VALUES FOR LINEAR MAPPING	64
3.27	WRITE TARGET HIGH/LOW VALUES FOR LINEAR MAPPING.....	65
3.28	ENABLE/DISABLE LINEAR MAPPING	66
3.29	READ ENABLE/DISABLE LINEAR MAPPING STATUS	67
3.30	CJC OFFSET CALIBRATION	68
3.31	CLEAR LATCHED ALARM	69
3.32	CLEAR EVENT COUNTER	70
3.33	DISABLE ALARM.....	71
3.34	READ DIGITAL I/O AND ALARM STATUS	72
3.35	SET DIGITAL OUTPUT.....	74
3.36	ENABLE ALARM	75
3.37	SET HIGH ALARM	76
3.38	SET LOW ALARM.....	77
3.39	READ EVENT COUNTER	78
3.40	READ HIGH ALARM LIMIT.....	79
3.41	READ LOW ALARM LIMIT.....	80
3.42	READ LEADING CODE SETTING	81
3.43	CHANGE LEADING CODE SETTING.....	83
3.44	SET HOST WATCHDOG TIMER & SAFETY VALUE.....	85
3.45	READ HOST WATCHDOG TIMER & SAFETY VALUE	87
3.46	HOST IS OK.....	88
CHAPTER 4 DATA FORMAT AND INPUT RANGE		89
4.1	DATA FORMAT OF ANALOG INPUT MODULES	89
4.2	ANALOG INPUT RANGE.....	93
CHAPTER 5 CALIBRATION		97
5.1	HOW TO CALIBRATE THE ANALOG INPUT MODULES ?	97
PRODUCT WARRANTY/SERVICE.....		102

1

Introduction

1.1 About the NuDAM Analog Input Modules

The NuDAM provides a series of analog input modules which can sense the analog signal or to control the remote devices. The basic features of each module are shown here.

- NuDAM-6011/D: multi-functions high gain analog input module
 - NuDAM-6012/D: multi-functions analog input module
 - NuDAM-6013: 3 channels RTD input module
 - NuDAM-6014D: Analog (Transmitter) input module with LED display
 - NuDAM-6017: 8 channels analog input module
 - NuDAM-6018: 8 channels thermocouple input module
- The models with an extended D have the same command set and specification as without D, except the D version has a 5 1/2 LED Display.

1.2 Overview of NuDAM-6011/D

What is NuDAM-6011/D ?

NuDAM-6011/D is a multi-functions analog input module with cold junction compensation (CJC). The maximum input voltage range of analog input channel is $\pm 2.5V$. The high gain feature allows very small full range of $\pm 15mV$. To measure temperature by directly connect the thermocouple is possible because of using the CJC inside and the high gain feature. The voltage range of the ADC can be set according to different types of thermocouple. The ADC can be calibrated by

programming without handy adjustment. This features insure the best performance under different environment.

The module provides the analog signal monitor or the alarm function. The high and low bound of the alarm limit is programmable. The alarm status can be sent to digital output channels if this function is ON. The supervisor of a factory can ' see' or ' hear' the alarm if the digital output channel control a real alarm device. The two digital output channels can be set for general-purpose use if the alarm is disabled.

For example, connecting relay devices to DO channels, the NuDAM-6011/D can be used to control the high power devices.

The module provides another one digital input channel. This can be used for general purpose such as monitor digital signal, or be used as input of the event counter.

Features of NuDAM-6011/D

- 1 analog input channel with differential input
- Programmable voltage range with high gain amplifier
- On board CJC for temperature measurement
- 5000 Vrms isolation voltage for AD channel (2500 Vrms for NuDAM-6011/D)
- 2 digital output channels of open collector type
- Alarm function with high / low alarm output
- 1 digital input channel / event counter
- Programmable host watchdog timer for host failure protection
- Internal watchdog timer for device failure protection
- Easy programming by software
- Easy installation and wiring
- 5 1/2 digital LED Display (NuDAM-6011/D)

Specifications of NuDAM-6011/D

❖ **Interface**

- Interface: RS-485, 2 wires
- Speed (bps): 1200, 2400, 4800, 9600, 19.2K, 38.4K, 115.2K (115.2K only for firmware reversion above A4.00)

❖ **Analog Input**

- Input type: Differential input
- Resolution: 16 bits
- Unit Conversion: Thermocouple, mV, V, or mA
- Thermocouple Type: J, K, T, E, R, S, B, N, C
J: 0°C~760°C K: 0°C~1370°C ⁽¹⁾

T: -100°C~400°C	E: 0°C~1000°C
R: 500°C~1750°C	S: 500°C~1750°C
B: 500°C~1800°C	N: -270°C~1300°C
C: 0°C~2320°C	

- Voltage Range: Programmable 6 levels
±2.5V, ±1V, ±500mV, ±100mV, ±50mV, ±15mV
- Current Measurement: ±20mA (with external 125Ω resistor)
- Accuracy: ±0.4%

Note ⁽¹⁾: F/W version above A4.60 support K-type for 0~1370°C. Lower version supports K-type for 0~1000°C.

◇ **Digital Output**

- Channel numbers: 2
- Output characteristic: open collector transistor
- Maximum current sink: 50mA
- Max. power dissipation: 300mW

◇ **Digital Input**

- Channel numbers: 1
- Logical level 0: +1V maximum
- Logical level 1: +2.0V~ +30V
- Pull up resistor: 10KΩ
- Maximum current: 0.5mA

◇ **Watchdog Function**

- Module internal watchdog timer: 150 ms
- Power failure threshold: 4.65 V
- Safety value: 2 digital output channels
- Host programmable watchdog: 100 ms ~ 25.500 sec

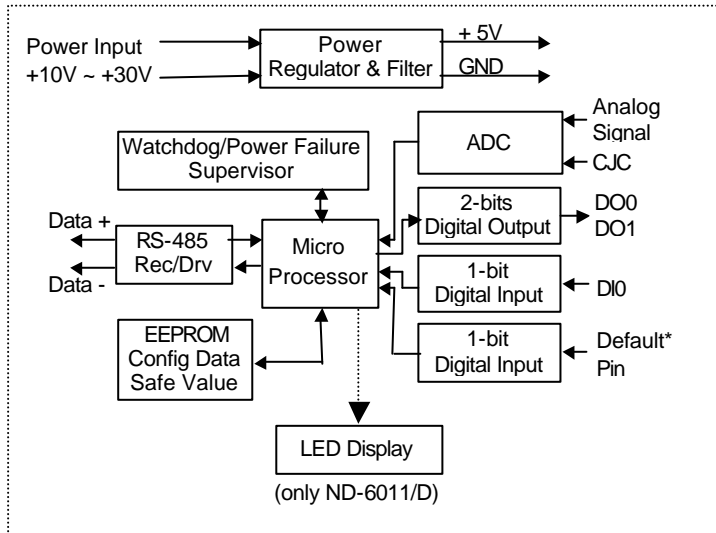
◇ **Power**

- Power supply: +10V to +30V
- Current consumption: 0.76W(1.68W for NuDAM-6011/D)

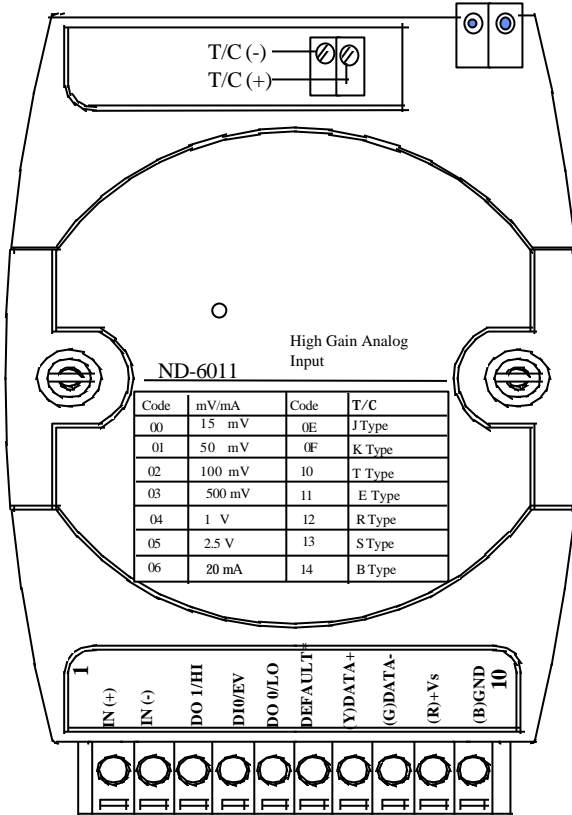
Pin Definitions of ND-6011/D

Pin #	Signal Name	Description
1	IN+	Analog Input Positive Terminal
2	IN-	Analog Input Negative Terminal
3	DO 1/ HI	Digital Output Channel 1 or High alarm status output
4	DI 0 / EV	Digital Input Channel 0 or event counter input
5	DO 0 / LO	Digital Output Channel 0 or Low alarm output
6	DEFAULT*	Initial state setting
7	(Y) DATA+	RS-485 series signal, positive
8	(G) DATA-	RS-485 series signal, negative
9	(R) +Vs	Power supply, +10V~+30V
10	(B) GND	Ground
11	TC(+)	Thermocouple Input positive Terminal
12	TC(-)	Thermocouple Input negative Terminal

Functional Block Diagram of ND-6011/D



A Look at ND-6011/D & Pin Assignment



1.3 Overview of NuDAM-6012/D

What is NuDAM-6012/D?

NuDAM-6012/D is a multi-functions analog input module. The programmable input voltage range of analog input channel is from $\pm 10V$ maximum to $\pm 150mV$ minimum.

The module also provides the alarm function and the event counter just like NuDAM-6011/D. In fact, the NuDAM-6012/D provides almost all functions that NuDAM-6011/D has except the CJC and temperature measurement function.

Features of NuDAM-6012/D

- 1 analog input channel with differential input
- Programmable voltage range
- 5000 Vrms isolation voltage for AD channel (2500 Vrms for ND-6012/D)
- 2 digital output channels of open collector type
- Alarm function with high / low alarm output
- 1 digital input channel / event counter
- Programmable host watchdog timer for host failure protection
- Internal watchdog timer for device failure protection
- Easy programming by software
- Easy installation and wiring
- 51/2 digital LED display (NuDAM-6012/D)

Specifications of NuDAM-6012/D

✧ Interface

- Interface: RS-485, 2 wires
- Speed (bps): 1200, 2400, 4800, 9600, 19.2K, 38.4K, 115.2K (115.2K only for firmware reversion above A4.00)

✧ Analog Input

- Input type: Differential input
- Resolution: 16 bits
- Unit Conversion: mV, V, or mA
- Voltage Range: Programmable 5 levels
 $\pm 10V$, $\pm 5V$, $\pm 1V$, $\pm 500mV$, $\pm 150mV$
- Current Measurement: $\pm 20mA$ (with external 125Ω resistor)
- Accuracy: $\pm 0.05\%$
- Isolation Voltage: 5000 Vrms (2500 Vrms for NuDAM-6012/D)

- ◇ **Digital Output**
 - Channel numbers: 2
 - Output characteristic: open collector transistor
 - Maximum current sink: 50mA
 - Max. power dissipation: 300mW

- ◇ **Digital Input**
 - Channel numbers: 1
 - Logical level 0: +1V maximum
 - Logical level 1: +2.0V~30V
 - Pull up resistor: 10K Ω
 - Maximum current: 0.5mA

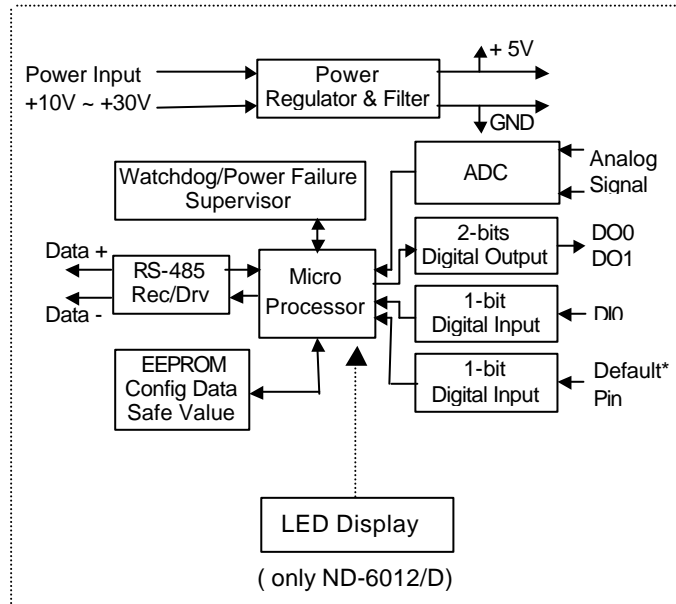
- ◇ **Watchdog Function**
 - Module internal watchdog timer: 150 ms
 - Power failure threshold: 4.65 V
 - Host programmable watchdog: 100 ms ~ 25.500 sec

- ◇ **Power**
 - Power supply: +10V to +30V
 - Current consumption: 1.1 W(2.0W for NuDAM-6012/D)

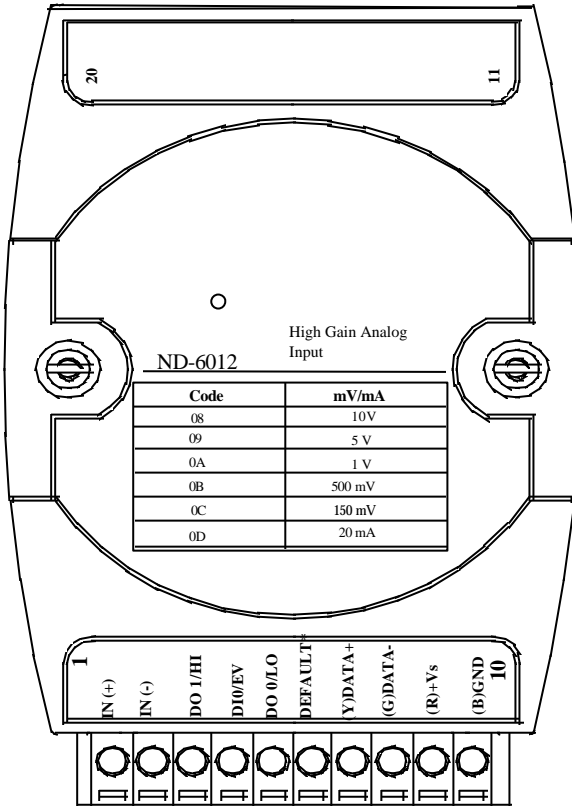
Pin Definitions of ND-6012/D

Pin #	Signal Name	Description
1	IN+	Analog Input Positive Terminal
2	IN-	Analog Input Negative Terminal
3	DO 1/ HI	Digital Output Channel 1 or High alarm status output
4	DI 0 / EV	Digital Input Channel 0 or event counter input
5	DO 0 / LO	Digital Output Channel 0 or Low alarm output
6	DEFAULT*	Initial state setting
7	(Y) DATA+	RS-485 series signal, positive
8	(G) DATA-	RS-485 series signal, negative
9	(R) +Vs	Power supply, +10V~+30V
10	(B) GND	Ground

Functional Block Diagram of ND-6012/D



A Look at ND-6012/D & Pin Assignment



1.4 Overview of NuDAM-6013

What is NuDAM-6013 ?

NuDAM-6013 is a RTD input module with 3 input channels. It supports 2, 3 or 4 wires RTD input device.

Features of NuDAM-6013

- 3 RTD input channels
- 2, 3 or 4 wire RTD input support
- Programmable RTD input range
- Internal watchdog timer for device failure protection
- Easy programming by software
- Easy installation and wiring
- Wiring open detection ⁽²⁾

Note ⁽²⁾: for H/W version C1.2 or above and F/W version C4.6 or above.

Specifications of NuDAM-6013

✧ Interface

- Interface: RS-485, 2 wires
- Speed (bps): 1200, 2400, 4800, 9600, 19.2K, 38.4K, 115.2K (115.2K only for firmware reversion above A4.00)

✧ RTD Input

- Input type: Pt or Ni input, 2, 3 or 4 wires
- Channels Numbers: 3
- Resolution: 16 bits
- Unit Conversion: °C or Ohm
- Temperature Range: Programmable 5 levels, ±100°C, 0~100°C, 0~200°C, 0~600°C, 0~60 Ohms ⁽³⁾
- Accuracy: ±0.1%

Note ⁽³⁾: Supported on F/W version C4.5 or above.

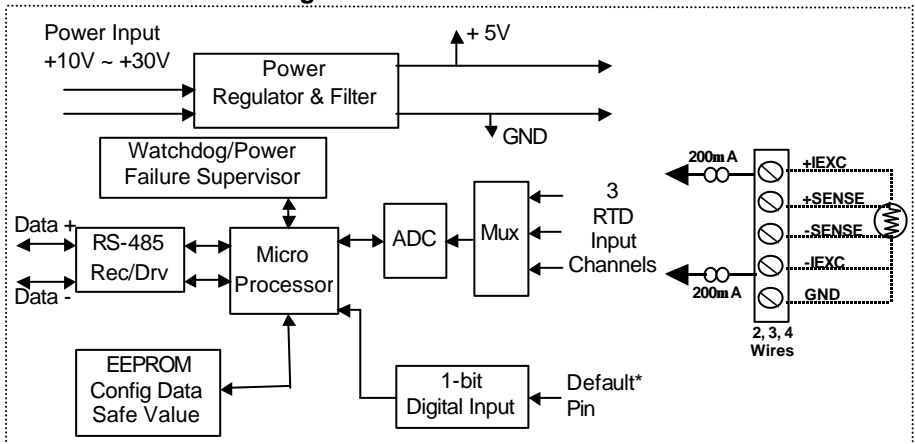
✧ Power

- Power supply: +10V to +30V
- Current consumption: 0.65 W

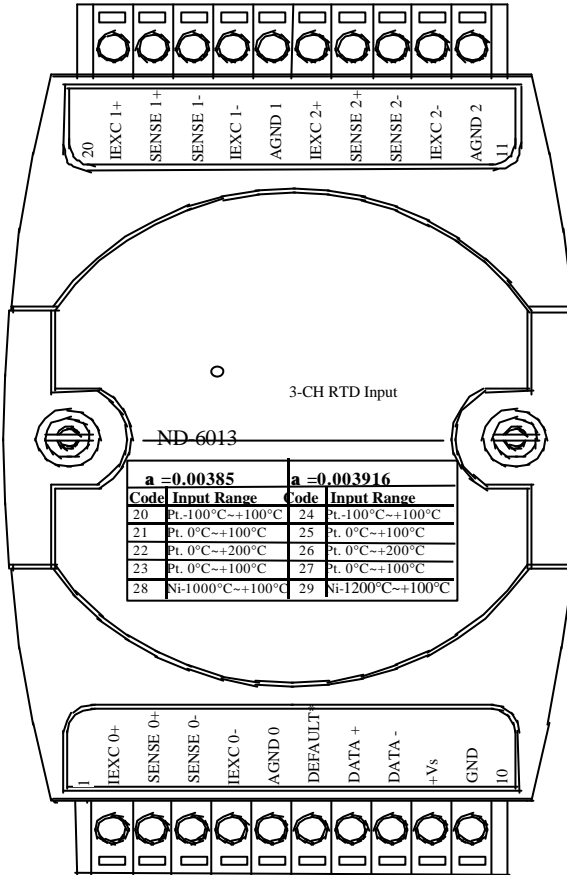
Pin Definitions of ND-6013

Pin #	Signal Name	Description
1	+IEXC0	Current source of CH0
2	+SENSE0	Differential positive input of CH0
3	-SENSE0	Differential negative input of CH0
4	-IEXC0	Current source of CH0
5	AGND0	Analog signal ground of CH0
6	DEFAULT*	Initial state setting
7	(Y) DATA+	RS-485 series signal, positive
8	(G) DATA-	RS-485 series signal, negative
9	(R) +Vs	Power supply, +10V~+30V
10	(B) GND	Ground
11	AGND2	Analog signal ground of CH2
12	-IEXC2	Current source of CH2
13	-SENSE2	Differential negative input of CH2
14	+SENSE2	Differential positive input of CH2
15	+IEXC2	Current source of CH2
16	AGND1	Analog signal ground of CH1
17	-IEXC1	Current source of CH1
18	-SENSE1	Differential negative input of CH1
19	+SENSE1	Differential positive input of CH1
20	+IEXC1	Current source of CH1

Functional Block Diagram of ND-6013



A Look at ND-6013 & Pin Assignment



1.5 Overview of NuDAM-6014D

What is NuDAM-6014D ?

NuDAM-6014D is a multi-functions analog(transmitter) input module with LED display. The programmable input voltage range of analog input channel is from $\pm 10V$ maximum to $\pm 150mV$ minimum.

The module also provides the alarm function and the event counter just like NuDAM-6012/D. In fact, the NuDAM-6014D provides almost all functions that NuDAM-6012/D has but there is more function with transmitter.

Features of NuDAM-6014D

- 1 analog input channel with differential input
- Programmable voltage range
- 2500 Vrms isolation voltage for AD channel
- 2 digital output channels of open collector type
- Alarm function with high / low alarm output
- 1 digital input channel / event counter
- Programmable host watchdog timer for host failure protection
- Internal watchdog timer for device failure protection
- Easy programming by software
- Easy installation and wiring
- 51/2 digital LED Display

Specifications of NuDAM-6014D

✧ Interface

- Interface: RS-485, 2 wires
- Speed (bps): 1200, 2400, 4800, 9600, 19.2K, 38.4K ,115.2K (115.2K only for firmware reversion above A4.00)

✧ Analog Input

- Input type: Differential input
- Resolution: 16 bits
- Unit Conversion: mV, V, or mA
- Voltage Range: Programmable 5 levels
 $\pm 10V$, $\pm 5V$, $\pm 1V$, $\pm 500mV$, $\pm 150mV$
- Current Measurement: $\pm 20mA$
- Accuracy: $\pm 0.05\%$
- Isolation Voltage: 2500 Vrms

- ✧ **Digital Output**
 - Channel numbers: 2
 - Output characteristic: open collector transistor
 - Maximum current sink: 50mA
 - Max. power dissipation: 300mW

- ✧ **Digital Input**
 - Channel numbers: 1
 - Logical level 0: +1V maximum
 - Logical level 1: +2.0V~30V
 - Pull up resistor: 10K Ω
 - Maximum current: 0.5mA

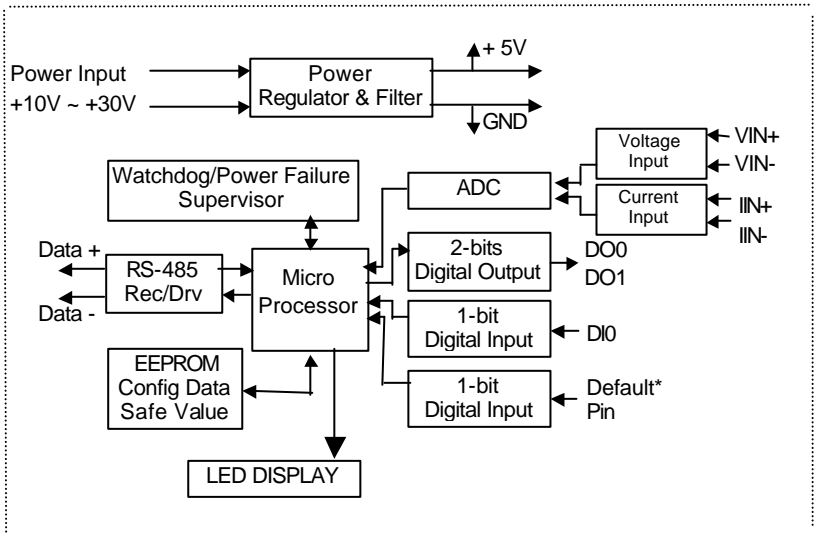
- ✧ **Watchdog Function**
 - Module internal watchdog timer: 150 ms
 - Power failure threshold: 4.65 V
 - Host programmable watchdog: 100 ms ~ 25.500 sec

- ✧ **Power**
 - Power supply: +10V to +30V
 - Current consumption: 2.0 W

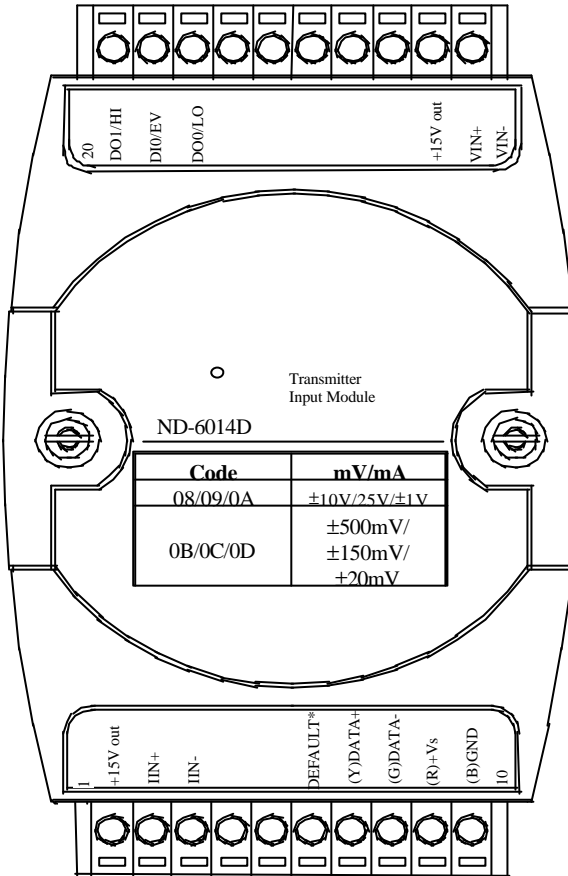
Pin Definitions of ND-6014D

Pin #	Signal Name	Description
1	+15V	External +15V
2	IIN+	Current Input Positive Terminal
3	IIN-	Current Input Negative Terminal
6	DEFAULT*	Initial state setting
7	(Y) DATA+	RS-485 series signal, positive
8	(G) DATA-	RS-485 series signal, negative
9	(R) +Vs	Power supply, +10V~+30V
10	(B) GND	Ground
11	VIN-	Analog Input Negative Terminal
12	VIN+	Analog Input Positive Terminal
13	+15V out	External +15V Output
18	DO 0 / LO	Digital Output Channel 0 or Low alarm output
19	DI 0 / EV	Digital Input Channel 0 or event counter input
20	DO 1/ HI	Digital Output Channel 1 or High alarm status output

Functional Block Diagram of ND-6014D



A Look at ND-6014D & Pin Assignment



1.6 Overview of NuDAM-6017

What is NuDAM-6017 ?

NuDAM-6017 is an analog input module with 8 input channels. Six of the eight channels are differential type and the other two are single ended type.

Features of NuDAM-6017

- 8 analog input channels
- 6 differential inputs and 2 single ended inputs
- Programmable input voltage range
- Programmable host watchdog timer for host failure protection
- 5000 Vrms isolation voltage
- Internal watchdog timer for device failure protection
- Easy programming by software
- Easy installation and wiring

Specifications of NuDAM-6017

✧ Interface

- Interface: RS-485, 2 wires
- Speed (bps): 1200, 2400, 4800, 9600, 19.2K, 38.4K ,115.2K (115.2K only for firmware reversion above A4.00)

✧ Analog Input ⁽⁴⁾

- Input type: Differential input
- Channels Numbers: 8
- Resolution: 16 bits
- Unit Conversion: mV, V, or mA
- Voltage Range: Programmable 5 levels , $\pm 10V$, $\pm 5V$, $\pm 1V$, $\pm 500mV$, $\pm 150mV$
- Current Measurement: $\pm 20mA$ (with external 125Ω resistor)
- Accuracy: $\pm 0.1\%$

✧ Power

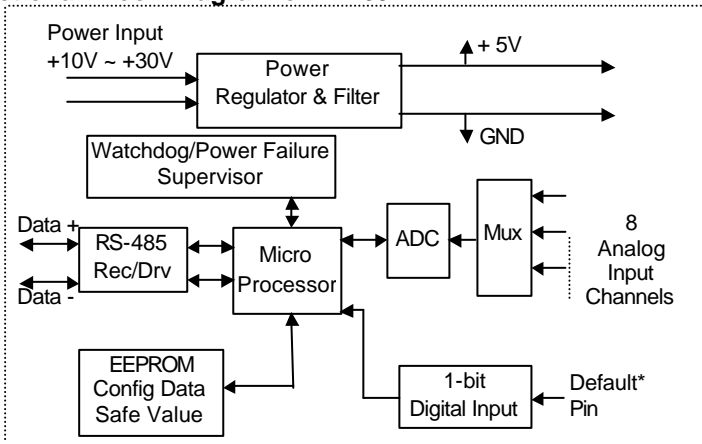
- Power supply: +10V to +30V
- Current consumption: 1.2 W

Note⁽⁴⁾: The maximum input voltage shall not exceed to $\pm 30V$ with reference to AGND otherwise, they may cause an unrecoverable harm to the hardware component.

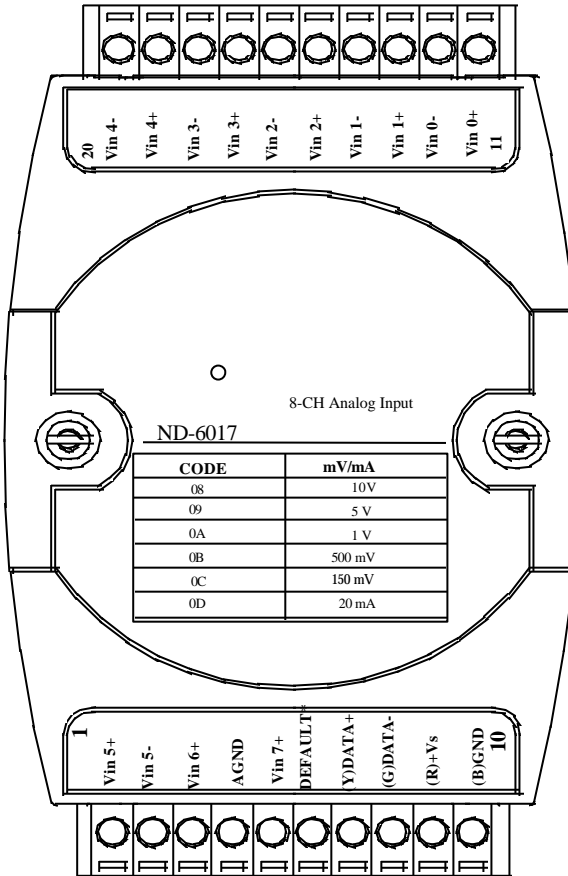
Pin Definitions of ND-6017

Pin #	Signal Name	Description
1	Vin5+	Differential positive input channel 5
2	Vin5-	Differential negative input channel 5
3	Vin6+	Single-ended voltage input channel 6
4	AGND	Analog signal ground of CH6 & 7
5	Vin7+	Single-ended voltage input channel 7
6	DEFAULT*	Initial state setting
7	(Y) DATA+	RS-485 series signal, positive
8	(G) DATA-	RS-485 series signal, negative
9	(R) +Vs	Power supply, +10V~+30V
10	(B) GND	Ground
11	Vin0+	Differential positive input channel 0
12	Vin0-	Differential negative input channel 0
13	Vin1+	Differential positive input channel 1
14	Vin1-	Differential negative input channel 1
15	Vin2+	Differential positive input channel 2
16	Vin2-	Differential negative input channel 2
17	Vin3+	Differential positive input channel 3
18	Vin3-	Differential negative input channel 3
19	Vin4+	Differential positive input channel 4
20	Vin4-	Differential negative input channel 4

Functional Block Diagram of ND-6017



A Look at ND-6017 & Pin Assignment



1.7 Overview of NuDAM-6018

What is NuDAM-6018 ?

NuDAM-6018 is a thermocouple input module with 8 input channels. Six of the eight channels are differential type and the other two are single ended type.

Features of NuDAM-6018

- 8 analog input channels
- 6 differential inputs and 2 single ended inputs
- Programmable input voltage range
- Programmable host watchdog timer for host failure protection
- On board CJC for temperature measurement
- 2500 Vrms isolation voltage
- Internal watchdog timer for device failure protection
- Easy programming by software
- Easy installation and wiring
- Wiring open detection ⁽⁵⁾

Specifications of NuDAM-6018

✧ Interface

- Interface: RS-485, 2 wires
- Speed (bps): 1200, 2400, 4800, 9600, 19.2K, 38.4K ,115.2K (115.2K only for firmware reversion above A4.00)

✧ Analog Input⁽⁶⁾

- Input type: Differential input
- Channels Numbers: 8
- Resolution: 16 bits
- Unit Conversion: Thermocouple, mV, V or mA
- Thermocouple Type: J, K, T, E, R, S, B, N, C
 - J: 0°C~760°C K: 0°C~1370°C⁽⁶⁾
 - T: -100°C~400°C E: 0°C~1000°C
 - R: 500°C~1750°C S: 500°C~1750°C
 - B: 500°C~1800°C N: -270°C~1300°C
 - C: 0°C~2320°C
- Voltage Range: Programmable 6 levels $\pm 2.5V$, $\pm 1V$, $\pm 500mV$, $\pm 100mV$, $\pm 50mV$, $\pm 15mV$
- Current Measurement: $\pm 20mA$ (with external 125 Ω resistor)

✧ Power

- Power supply: +10V to +30V
- Current consumption: 0.9 W

Note ⁽⁵⁾: For H/W version B4.0 or above and F/W version B1.31 or above.

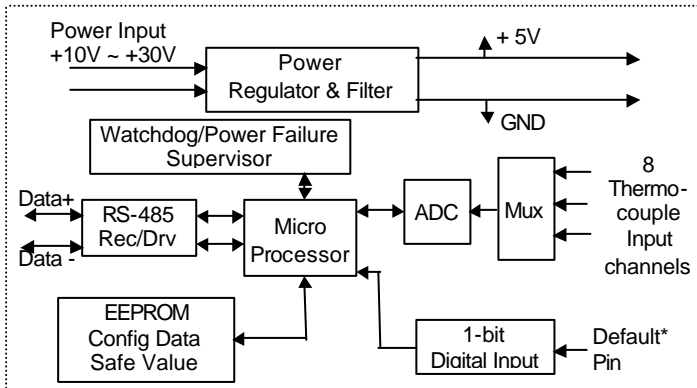
Note ⁽⁶⁾: The maximum input voltage shall not exceed to $\pm 30V$ with reference to AGND otherwise, they may cause an unrecoverable harm to the hardware component.

Note ⁽⁷⁾: F/W version above C4.30 support K-type for 0~1370°C. Lower version supports K-type for 0~1000°C.

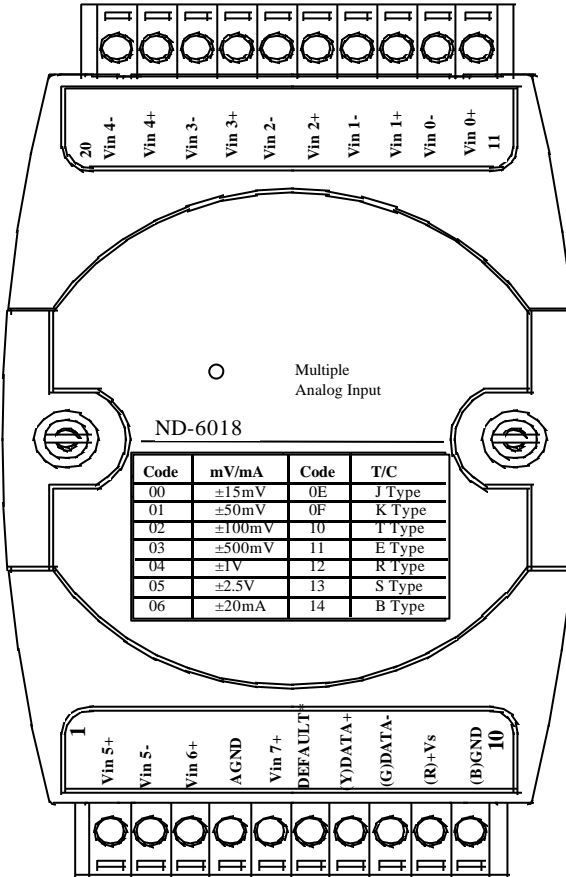
Pin Definitions of ND-6018

Pin #	Signal Name	Description
1	Vin5+	Differential positive input channel 5
2	Vin5-	Differential negative input channel 5
3	Vin6+	Single-ended voltage input channel 6
4	AGND	Analog signal ground of CH6 & 7
5	Vin7+	Single-ended voltage input channel 7
6	DEFAULT*	Initial state setting
7	(Y) DATA+	RS-485 series signal, positive
8	(G) DATA-	RS-485 series signal, negative
9	(R) +Vs	Power supply, +10V~+30V
10	(B) GND	Ground
11	Vin0+	Differential positive input channel 0
12	Vin0-	Differential negative input channel 0
13	Vin1+	Differential positive input channel 1
14	Vin1-	Differential negative input channel 1
15	Vin2+	Differential positive input channel 2
16	Vin2-	Differential negative input channel 2
17	Vin3+	Differential positive input channel 3
18	Vin3-	Differential negative input channel 3
19	Vin4+	Differential positive input channel 4
20	Vin4-	Differential negative input channel 4

Functional Block Diagram of ND-6018



A Look at ND-6018 & Pin Assignment



2

Initialization & Installation

2.1 Software Installation

1. If you have already installed “NuDAM Administration” then skip other steps.
2. Backup your software diskette.
3. Insert “NuDAM Administration” disc into CD-ROM:
4. Change drive to the path of CD-ROM. For example, your drive of CD-ROM is F:, then change the drive to F:
5. Find the setup of NuDAM Administration and run it.
6. Please follow the steps of setup program then you can successful to install the nudism Administration.

2.2 Initializing a Brand-New Module

Objective of Initializing a Brand-New NuDAM

All NuDAM modules, except NuDAM-6520 and NuDAM-6510, in a RS-485 network must have an *unique* address ID. Every brand-new NuDAM has a factory default setting as following:

- Address ID is 01.
- Baud rate is 9600 bps
- Check-sum disable
- Host Watchdog timer is disable

Therefore, to configure the brand-new NuDAM before using is necessary to avoid conflicting address. The baud rate may also be changed according to user' s requirements.

The initialization procedures of a brand-new NuDAM are shown in the following sections. The procedures are applicable for initializing

NuDAM-6011/D, NuDAM-6012/D, NuDAM-6013, NuDAM-6014D, NuDAM-6017, and NuDAM-6018.

Default State

The NuDAM modules must be set at *Default State* when you want to change the default settings, including the ID address, baud rate, check-sum status etc. All NuDAM modules have a special pin labeled as **DEFAULT***. The module will be in *Default State* if the **Default*¹** pin is shorted to ground when power ON. Under this state, the default configuration is set as following:

- **Address ID is 00.**
- **Baud rate is 9600 bps.**
- **Check-sum disable.**
- **Watchdog timer is disable.**

Therefore, the configuration of the host and the module can be easily set identically and initializing a module will be possible no matter what configuration is set under operating state.

Initialization Equipments

- Host computer with an RS-232 port.
- An installed RS-485 module (NuDAM-6520) with 9600 baud rate.
- The brand new NuDAM module
- Power supply (+10 V_{DC} to +30 V_{DC}) for NuDAM modules
- Administration utility software

Note1: Never Connect the DRFAULT* pin to Vs or power source just left it open or wired to GND.

Initialization Procedure

1. Power off the host computer and the installed NuDAM-6520. Be sure of the baud rate of the NuDAM-6520 is 9600 bps.
2. Connect a brand new NuDAM module with the RS-485. Set the module in *Default State* by shorting the **DEFAULT*** pin. Refer to Figure 2.1 for detailed wiring.
3. Power on the host computer.
4. Power on the power supply for NuDAM modules.
5. Use the NuDAM Administration utility to configure the address ID, Baud rate and check-sum status of the module.

Initialization Wiring

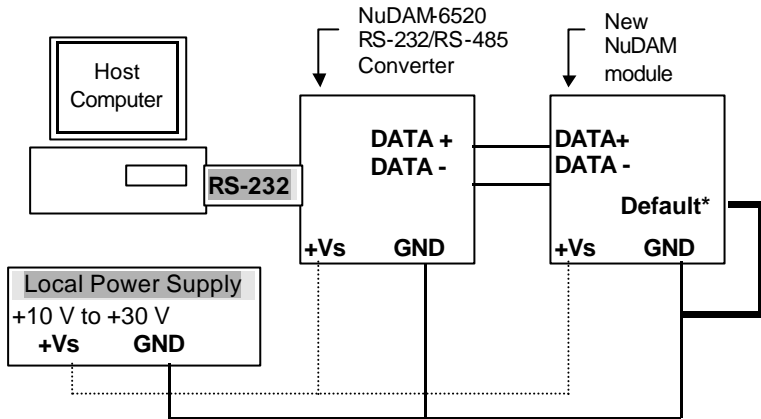


Figure 2-1 Layout for Initialization the NuDAM module

2.3 Install a New NuDAM to a Existing Network

Equipments for Install a New Module

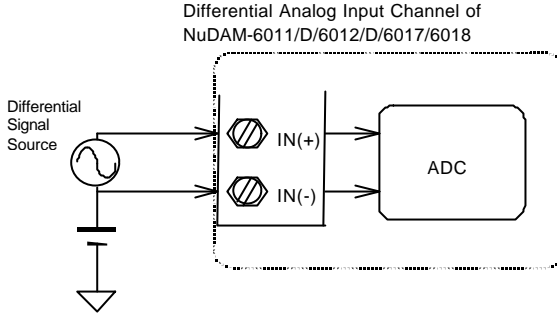
- A existing NuDAM network
- New NuDAM modules.
- Power supply (+10 to +30 V_{DC}).

Installing Procedures

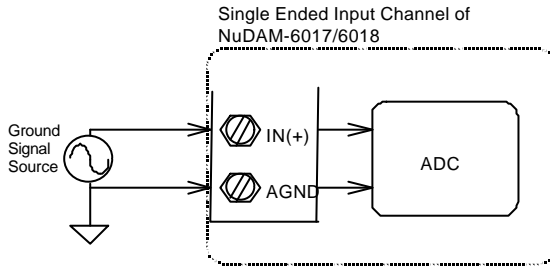
1. Configure the new NuDAM module according to the initialization procedures in section 2.2.
2. The baud rate and check-sum status of the new module must be identity with the existing RS-485 network. The a ddrss ID must not be conflict with other NuDAM modules on the network.
3. Power off the NuDAM power supply of the existing RS-485 network.
4. Power off the host computer.
5. Wire the power lines for the new NuDAM with the existing network. Be careful about the signal polarity as wiring.
6. Wire the RS-485 data lines for the new NuDAM with the existing network. Be careful about the signal polarity as wiring.
7. Wire to the input or output devices. Refer to section 2.4 for illustrations.
8. Power on the host computer.
9. Power on the NuDAM local power supply.
10. Use the NuDAM administration utility to check entire network.

2.4 Application Wiring for NuDAM-601X

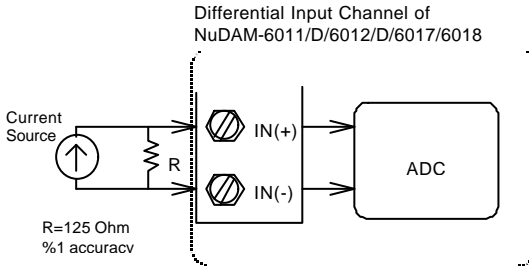
Differential Voltage Input



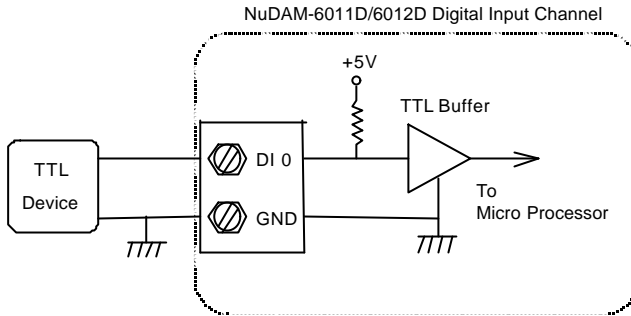
Single Ended Voltage Input



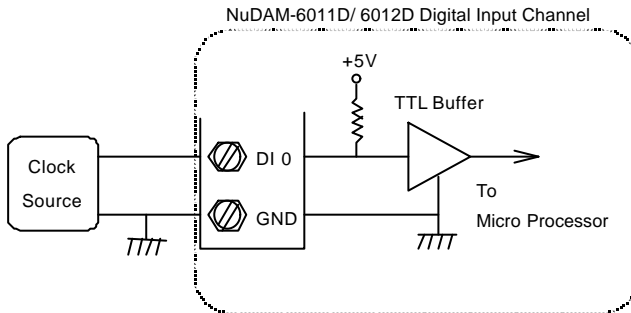
Current Measurement



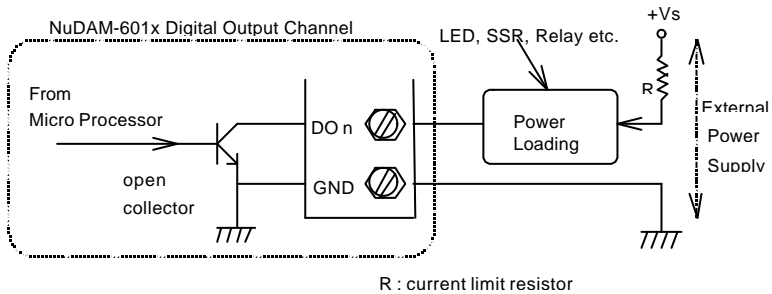
Digital Input Connect with TTL Signal



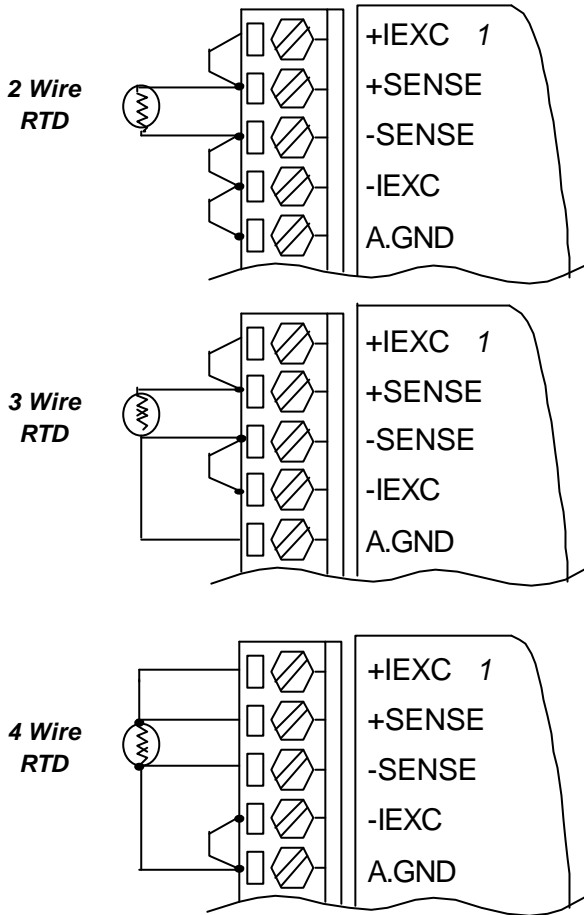
Digital Input Used as an Event Counter



Digital Output Connect with Power Loading

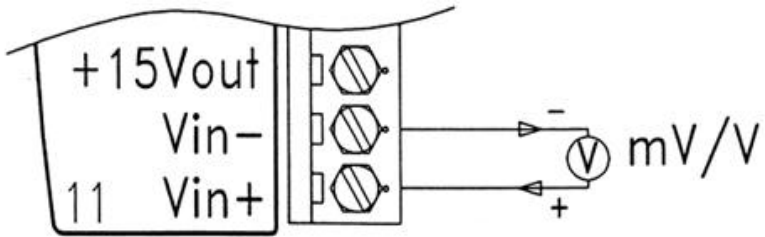


RTD Input (NuDAM-6013)

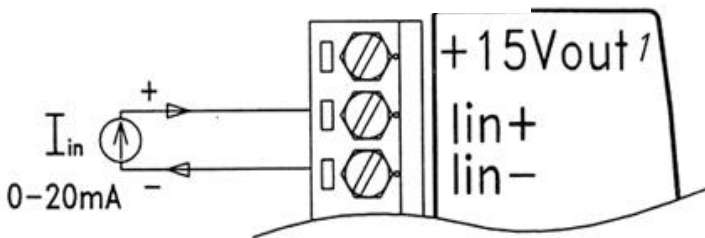


Application Wiring for NuDAM-6014D

Millivolt and Volt Input

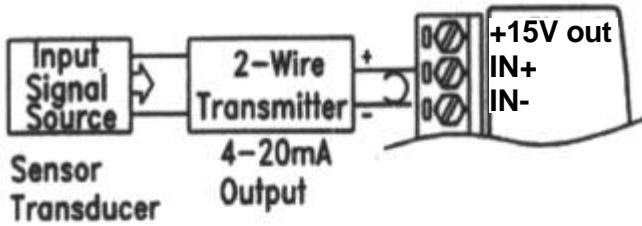


Process Current Input

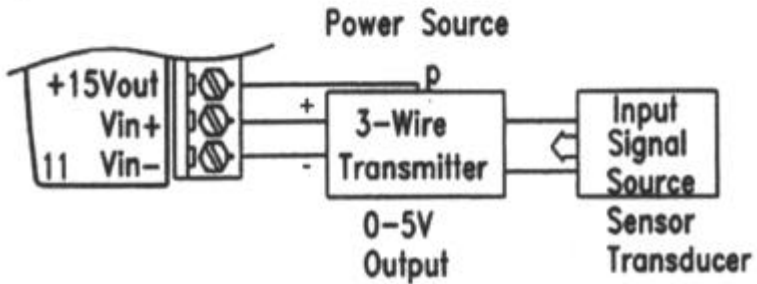


Transmitter wiring for NuDAM-6014D

2-wire Transmitter Input



3-wire Transmitter Input



3

Command Set

3.1 Command and Response

Introduction

The NuDAM command is composed by numbers of characteristics, including the leading code, address ID, the variables, the optional check-sum bytes, and a carriage return to indicate the end of a command. The host computer can only command only one NuDAM module except those synchronized commands with wildcard address “***”. The NuDAM may or may not give response to the command. The host should check the response to handshake with the modules.

Document Conventions

The following syntax conventions describe the NuDAM commands in this manual.

(Leading Code)	Leading Code is the first characteristic of the NuDAM command. All NuDAM commands need a command leading code, such as %, \$, #, @, ...etc. 1- character
(Addr)	Module' s address ID, the value is in the range of 00 - FF (Hex). 2- character
(Command Variable)	Command codes or value of variables. Variable length
[Data]	Some commands need additional data. Variable length
[Checksum]	Checksum in brackets indicate optional parameter, only checksum is enable then this field is required. 2- character
< >	Identifies a control code character, such as <CR> for carriage return, its value is 0x0D. 1- character

Format of NuDAM Commands

(Leading Code)(Addr)(Command)[Data][Checksum]<CR>

When checksum is enable then **[Checksum]** is needed, it is 2-character. Both command and response must append the checksum characters.

How to calculate checksum value ?

[Checksum] = ((LeadingCode)+(Addr)+(Command)+[Data]) MOD 0x100

Example 1: checksum is **disable**

```
User Command: $012<CR>
Response:     !01400600<CR>
```

\$: LeadingCode
01 : Address
2 : Command (Read Configuration)
<CR> : Carriage return 0x0D

Example 2: checksum is **enable**

```
User Command: $012B7<CR>
Response:     !01400600AC<CR>
```

\$: LeadingCode
01 : Address
2 : Command (Read Configuration)
B7 : Checksum value
<CR> : Carriage return 0x0D

' \$ ' = 0x24 ' 0 ' = 0x30 ' 1 ' = 0x31 ' 2 ' = 0x32
B7 = (0x24 + 0x30 + 0x31 + 0x32) MOD 0x100

' ! ' = 0x24 ' 0 ' = 0x30 ' 1 ' = 0x31 ' 4 ' = 0x34
' 6 ' = 0x36

AC = (0x24 + 0x30 + 0x31 + 0x34 + 0x30 + 0x30 + 0x36 + 0x30 + 0x30) MOD 0x100

-
- Note:**
1. There is no spacing between the command words and The checksum characters.
 2. Every command follows a <CR> carriage return for ending.
 3. The checksum characters are optional.
-

Response of NuDAM Commands

The response message depends on versatile NuDAM command. The response is composed with a few characteristics, including leading code, variables, and carriage return for ending. There are two categories of leading code for response message, "!" or ">" means valid command and "?" means invalid. By checking the response message, user can monitor the command is valid or not.

Note: Under the following conditions, there will have **no response** message.

1. The specified address ID is not exist.
 2. Syntax error.
 3. Communication error.
 4. Some special commands do not have response.
-

3.2 Summary of Command Set

There are three categories of NuDAM commands. The first is the **general commands**, including set configuration command, read configuration, reset, read module's name or firmware version, etc. Every NuDAM can response to the general commands. The second is the **functional commands**, which depends on functions of each module. Not every module can execute all function commands. The third is the **special commands** including functions about the programmable watchdog timer, safe values, and the programmable leading code. All the commands used in the NuDAM analog input module are list in the following table.

Command Set of Analog Input Modules			
Command	Syntax	Modules	Page
General Commands			
Set Configuration	%(OldAddr)(NewAddr) (InputRange)(BaudRate) (DataFormat)	ALL	3-7
Read Configuration	\$(Addr)2	ALL	3-11
Read Module Name	\$(Addr)M	ALL	3-12
Read Firmware Version	\$(Addr)F	ALL	3-13
Software Reset	\$(Addr)RS	ALL(1)	3-14
Functional Commands			
Synchronized Sampling	##*	6011/D, 6012/D, 6014D	3-15

Read Synchronized Analog Data	\$(Addr)4	6011/D, 6012/D, 6014D	3-16
Read Analog Data	#(Addr)	6011/D, 6012/D, 6014D	3-17
Read Analog Data Channel 0	#(Addr)	6013	3-17
Span Calibration	\$(Addr)0	ALL	3-18
Span Calibration to each Channel	\$(Addr)0(Channel No)	6013(2)	3-19
Offset Calibration	\$(Addr)1	ALL	3-20
Offset Calibration to each Channel	#(Addr)1(Channel No)	6013(2)	3-21
Read Analog Data From Channel N	#(Addr)(ChannelNo)	6013, 6017, 6018	3-22
Read All Analog Data	\$(Addr)A	6013, 6017, 6018	3-23
Enable/Disable Channel for Multiplexing	\$(Addr)5(ChannelVal)	6013, 6017, 6018	3-24
Read Channel Status	\$(Addr)6	6013, 6017, 6018	3-25
Read CJC Status	\$(Addr)3	6011/D, 6018	3-26
Enable/Disable CJC	\$(Addr)C(Status)	6011/D, 6018(3)	3-27
Read Enable/Disable CJC Status	\$(Addr)D	6011/D, 6018(3)	3-28
Open Thermocouple Detection of Channel N	\$(Addr)B(ChannelNo)	6013, 6018(4)	3-29
Enable/Disable Open Thermocouple Detection	\$(Addr)O(Status)	6013, 6018(4)	3-31
Read Source High/Low Values for Linear Mapping	\$(Addr)3	6014D	3-32

Read Target High/Low Values for Linear Mapping	\$(Addr)5	6014D	3-33
Write Source High/Low Values for Linear Mapping	\$(Addr)6(Data_L)(Data_H)	6014D	3-34
Write Target High/Low Values for Linear Mapping	\$(Addr)7(Data_L)(Data_H)	6014D	3-35
Enable/Disable Linear Mapping	\$(Addr)A(Status)	6014D	3-36
Read Enable/Disable Linear Mapping Status	\$(Addr)R	6014D	3-37
CJC Offset Calibration	\$(Addr)9(Counts)	6011/D, 6018	3-38
Clear Latch Alarm	@(Addr)CA	6011/D, 6012/D, 6014D	3-39
Clear Event Counter	@(Addr)CE	6011/D, 6012/D, 6014D	3-40
Disable Alarm	@(Addr)DA	6011/D, 6012/D, 6014D	3-41
Read Digital I/O and Alarm Status	@(Addr)DI	6011/D, 6012/D, 6014D	3-42
Set Digital Output	@(Addr)DO(OutData)	6011/D, 6012/D, 6014D	3-44
Enable Alarm	@(Addr)EA(Mode)	6011/D, 6012/D, 6014D	3-45
Set High Alarm	@(Addr)HI(Data)	6011/D, 6012/D, 6014D	3-46
Set Low Alarm	@(Addr)LO(Data)	6011/D, 6012/D, 6014D	3-47
Read Event Counter	@(Addr)RE	6011/D, 6012/D, 6014D	3-48
Read High Alarm	@(Addr)RH	6011/D,	3-49

		6012/D, 6014D	
Read Low Alarm	@(Addr)RL	6011/D, 6012/D, 6014D	3-50
Special Commands			
Read Command Leading Code Setting	~(Addr)0	ALL	3-51
Change Command Leading Code Setting	~(Addr)10(C1)(C2)(C3) (C4)(C5)(C6)	ALL	3-53
Set Host Watchdog / Safety Value	~(Addr)2(Flag) (TimeOut)(SafeValue)	ALL	3-55
Read Host WatchDog / Safe Value	~(Addr)3	ALL	3-57
Host is OK	~**	ALL	3-58

Note: "ALL" means for ND-6011/D, ND-6012/D, ND-6013, ND-6014D, ND-6017 and ND-6018.

(1) This function only support on F/W version above A4.30.

(2) These two functions only support between F/W version A3.05 to A4.52.

(3) These two functions support on F/W version above B4.60 of ND-6018 and F/W version above A4.60 of ND-6011.

(4) These two functions support on F/W version above B1.31 of ND-6018 and F/W version above C4.60 of ND-6013.

3.3 Set Configuration

(6011/D, 6012/D, 6013
6014D, 6017, 6018)

@Description

Configure the basic setting of NuDAM, including the address ID, input range, baud rate, and data format. The new configuration will be available after executing the command.

@Syntax

```
%(OldAddr)(NewAddr)(InputRange)(BaudRate)(DataFormat)<CR>
```

%	Command leading code. (1-character)
(OldAddr)	NuDAM module original address ID. The default address ID of a brand new module is 01. The value range of address ID is 00 to FF in hexadecimal.
(NewAddr)	New address ID, if you don't want to change address ID, let new address ID equals to the old one. (2-character)
(InputRange)	Define analog input range, refers to Table 3-1 for details. (2-character)
(BaudRate)	Define communication baud rate, refers to Table 3-2 for details. (2-character)
(DataFormat)	Define checksum, integration time and output data format, refers to Figure 3-1 for details. (2-character)

@Response

```
!(Addr)<CR>
```

or

```
?(Addr)<CR>
```

(Addr)	ADDRESS ID.
!	Command is valid.
?	Command is invalid, parameter values are invalid, or change the setting without grounding the DEFAULT* pin.

-
- Note:** 1. When you want to change the checksum or baud rate, the DEFAULT* pin must be grounded at first.
2. Waiting a maximum of 7 seconds to perform auto calibration and ranging after the analog input module is reconfigured. Please don't execute any other command during this time period.
-

@Example

```
User command: %0130050600<CR>
Response: !30<CR>
```

Item	Meaning	Description
%	(Leading Code)	Command leading code.
01	(OldAddr)	Original address ID is 01(Hex).
30	(NewAddr)	New address ID is 30(Hex).
05	(InputRange)	Analog input range is $\pm 2.5V$
06	(BaudRate)	Baud rate is 9600.
00	(DataFormat)	00 means data format is engineering units, checksum is disable and integration time is 50 ms (60Hz).
<CR>	Carriage return	0x0D.

Code (Hex)	Input Range	Modules
00	±15 mV	6011/D,6018
01	±50 mV	6011/D,6018
02	±100 mV	6011/D,6018
03	±500 mV	6011/D,6018
04	±1 V	6011/D,6018
05	±2.5 V	6011/D,6018
06	±20 mA (Required 125Ω current conversion resistor.)	6011/D,6018
08	±10 V	6012/D,6017, 6014D
09	±5 V	6012/D,6017, 6014D
0A	±1 V	6012/D,6017, 6014D
0B	±500 mV	6012/D,6017, 6014D
0C	±150 mV	6012/D,6017, 6014D
0D	±20 mA (Required 125Ω current conversion resistor.)	6012/D,6017, 6014D
0E	Type J Thermocouple 0° to 760°C	6011/D,6018
0F	Type K Thermocouple 0° to 1370°C	6011/D,6018
10	Type T Thermocouple -100° to 400°C	6011/D,6018
11	Type E Thermocouple 0° to 1000°C	6011/D,6018
12	Type R Thermocouple 500° to 1750°C	6011/D,6018
13	Type S Thermocouple 500° to 1750°C	6011/D,6018
14	Type B Thermocouple 500° to 1800°C	6011/D,6018
15	Type N Thermocouple -270° to 1300°C	6011/D,6018
16	Type C Thermocouple 0° to 2320°C	6011/D,6018
20	Pt-100, -100°C to +100°C, α=0.00385	6013
21	Pt-100, 0°C to +100°C, α=0.00385	6013
22	Pt-100, 0°C to +200°C, α=0.00385	6013
23	Pt-100, 0°C to +600°C, α=0.00385	6013
24	Pt-100, -100°C to +100°C, α=0.003916	6013
25	Pt-100, 0°C to +100°C, α=0.003916	6013
26	Pt-100, 0°C to +200°C, α=0.003916	6013
27	Pt-100, 0°C to +600°C, α=0.003916	6013
28	Ni-100, 0°C to +100°C	6013
29	Ni-120, 0°C to +100°C	6013
2A	0-60 Ohms	6013

Table 3-1 AD Input Range Setting

Code	Baudrate
03	1200 bps
04	2400 bps
05	4800 bps
06	9600 bps
07	19200 bps
08	38400 bps
09	115200 bps

Table 3-2 Baud rate setting code

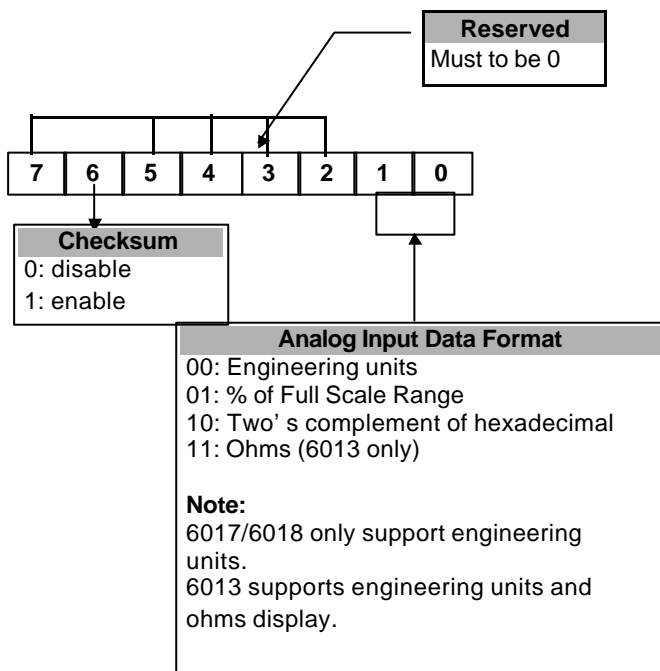


Figure 3-1 Data Format Setting of Analog Input Modules

3.4 Read Configuration

(6011/D, 6012/D, 6013
6014D, 6017, 6018)

@Description

Read the configuration of module on a specified address ID.

@Syntax

```
$(Addr)2<CR>
```

\$	Command leading code
(Addr)	Address ID.
2	Command code for reading configuration

@Response

```
!(Addr)(InputRange)(BaudRate)(DataFormat)<CR>
```

or

```
?(Addr)<CR>
```

!	Command is invalid.
?	Command is invalid.
(Addr)	Address ID.
(InputRange)	Current setting of analog voltage input, refers to Table 3-1 for details.
(BaudRate)	Current setting of communication baud rate, refers to Table 3-2 for details.
(DataFormat)	Current settings of checksum, integration time and output data format, refers to Figure 3-1 for details.

@Example

```
User command: $302<CR>
Response: !30050600<CR>
```

!	Command is valid.
30	Address ID.
05	Analog input range is ± 2.5 V.
06	Baud rate is 9600 bps.
00	checksum is disable.

3.5 Read Module Name

(6011/D, 6012/D, 6013
6014D, 6017, 6018)

@Description

Read module name of NuDAM at specified address.

@Syntax

```
$(Addr)M<CR>
```

\$	Command leading code.
(Addr)	Address ID
M	Read module name

@Response

```
!(Addr)(ModuleName)  
<CR>
```

or

```
?(Addr)<CR  
>
```

!	Command is invalid.
?	Command is invalid.
(Addr)	Address ID.
(ModuleName)	NuDAM module's name could be '6011', '6011/D', '6012', '6012/D', '6013', '6017' or '6018'. 4 or 5 characters

@Example

```
User command:  $30M<CR>  
Response:      !306011/D<CR>
```

!	Command is valid.
30	Address
6011/D	ND-6011/D (Analog Input Module)

3.6 Read Firmware Version

(6011/D, 6012/D, 6013
6014D, 6017, 6018)

@Description

Read firmware version of NuDAM at specified address.

@Syntax

```
$(Addr)F<CR>
```

\$	Command leading code.
(Addr)	Address ID
F	Read module firmware version.

@Response

```
!(Addr)(FirmRev) <CR>
```

or

```
?(Addr)<CR  
>
```

!	Command is valid.
?	Command is invalid.
(Addr)	Address ID.
(FirmRev)	NuDAM module' s firmware version.

@Example

```
User command:  $30F<CR>  
Response:      !30A2.10<CR>
```

!	Command is valid.
30	Address
A2.10	Firmware Version

3.7 Software Reset

(6011/D, 6012/D, 6013
6014D, 6017, 6018)

@Description

To stop current operation , reset the module to initial power on state.

@Syntax

```
$(Addr)RS<CR>
```

\$	Command leading code (1 character)
(Addr)	Address ID (2 character)
RS	Software Reset (2 character)

@Response

```
!(Addr)<CR>
```

or

```
?(Addr)<CR  
>
```

!	Command is valid.
?	Command is invalid.
(Addr	Address ID.
)	

@Example

```
User command: $060RS<CR>
Response: !06<CR>
```

To stop current operation , reset the module to initial power on state for analog input module ND-6013 , address ID is 06H.

3.8 Synchronized Sampling

(6011/D, 6012/D, 6014D)

@Description

Synchronized all modules to sample **analog input** values and stored the values in the module's register at the same time. The sampled data can be read by "Read Synchronized Data" command.

@Syntax

```
##* <CR>  
>
```

#	Command leading code.
**	Synchronized sampling command

@Response

Note: Synchronized sampling command **has NO response**.

@Example

```
User command: ##* <CR>
```

3.9 Read Synchronized Data

(6011/D, 6012/D, 6014D)

@Description

After a synchronized sampling command **##*** was issued, you can read the sampled value that was stored in the register of the module at specified address.

@Syntax

```
$(Addr)4<CR>  
>  
$  
(Addr)  
4
```

Command leading code.
Address ID
Read synchronized data.

@Response

```
>(Addr)(Status)(Data)<CR>  
or  
?(Addr)<CR>  
>
```

> Command is invalid.
? Command is invalid or no synchronized sampling command was issued.
(Addr) Address ID.
(Status) 0: Data has been sent at least once before.
1: Data has been sent for the first time since a synchronized sampling command was issued. **(1-character)**
(Data) There are four types of Data format, refers to Chapter 4 for details.

@Examples

```
User command: $064<CR>  
Response: >060+1.6888<CR>
```

Read synchronized data at address 06H, analog input module send its analog input data +1.6888 (units). Status is 0 means it has sent the same data at least once. The current units is set by the data format.

```
User command: $064<CR>  
Response: >061+1.6888<CR>
```

Read synchronized data at address 06H, analog input module send its analog input data +1.6888 (units). Status is 1 means it is the first time that the data has been sent. The current units is set by the data format

3.10 Read Analog Data

(6011/D, 6012/D, 6013, 6014D)

@Description

Read the analog input value from an analog input module at specified address in a NuDAM network. While for ND-6013, it returns the channel 0 analog data.

@Syntax

```
#(Addr)<CR>
```

#	Command leading code
(Addr)	Address ID

@Response

```
>(InputData)<CR>
```

>	Delimiter character
(InputData)	The input data represents the analog signal. The unit of the digits depends on the data format used. There are four types of data format. The format is set by the set configuration command.
	Delimiter character

@Example

```
User command:  #06<CR>
Response:      >+1.6888<CR>
```

Read the analog input module data at address 06 (Hex). The analog input module response data is +1.6888 units. The unit depends on the data format.

3.11 Span Calibration

(6011/D, 6012/D, 6013 C4.6
6014D, 6017, 6018)

@Description

To correct the gain errors of AD converter by using the span calibration.

@Syntax

```
$(Addr)0<CR>
```

\$	Command leading code (1 character)
(Addr)	Address ID (2 character)
0	Span calibration (1 character)

@Response

```
!(Addr)<CR>
```

or

```
?(Addr)<CR  
>
```

!	Command is valid.
?	Command is invalid.
(Addr)	Address ID.

@Example

```
User command:  $060<CR>  
Response:      !06<CR>
```

To perform the span calibration for analog input module, address ID is 06H.

Note: To perform the calibration, a proper input signal should be connected to the analog input module. Different input range have different input voltage, detail refer chapter 5 “**Calibration**”.

3.12 Span Calibration to each Channel

(for 6013 F/W version
A3.05~A4.60)

@Description

To correct the gain errors of AD converter by using the span calibration.

@Syntax

```
$(Addr)0(Channel No)<CR>
```

\$	Command leading code (1 character)
(Addr)	Address ID (2 character)
0	Span calibration (1 character)
(Channel No)	Channel for Calibration (1 character) 0~2

@Response

```
!(Addr)<CR>
```

or

```
?(Addr)<CR
```

```
>
```

!	Command is valid.
?	Command is invalid.
(Addr)	Address ID.

@Example

```
User command: $0601<CR>
```

```
Response: !06<CR>
```

To perform the span calibration for analog input module ND-6013 channel 1, address ID is 06H.

Note: To perform the calibration, a proper input signal should be connected to the analog input module. Different input range have different input voltage, detail refer chapter 5 “**Calibration**” .

3.13 Offset Calibration

(6011/D, 6012/D, 6013 C4.6
and above, 6014D, 6017, 6018)

@Description

To correct the offset errors of AD converter by using the offset calibration.

@Syntax

```
$(Addr)1<CR>
```

\$	Command leading code
(Addr)	Address ID
1	Offset calibration.

@Response

```
!(Addr)<CR>
```

or

```
?(Addr)<CR  
>
```

!	Command is valid.
?	Command is invalid.
(Addr)	Address ID.

@Example

```
User command:  $061<CR>  
Response:      !06<CR>
```

To perform the offset calibration for analog input module at specified address 06 (Hex).

Note: To perform the calibration, a proper input signal should be connected to the analog input module. Different input range have different input voltage, detail refer chapter 5 “Calibration” .

3.14 Offset Calibration to each Channel (6013)

(for 6013 F/W version
A3.05~A4.60)

@Description

To correct the offset errors of AD converter by using the offset calibration.

@Syntax

\$(Addr)1(Channel No)<CR>

\$	Command leading code
(Addr)	Address ID
1	Offset calibration.
(Channel No)	Channel for calibration.(1 character)0~2

@Response

!(Addr)<CR>

or

?(Addr)<CR>
>

!	Command is valid.
?	Command is invalid.
(Addr)	Address ID.

@Example

```
User command: $0612<CR>
Response:     !06<CR>
```

To perform the offset calibration for analog input module ND-6013 channel 2 at specified address 06 (Hex).

Note: To perform the calibration, a proper input signal should be connected to the analog input module. Different input range have different input voltage, detail refer chapter 5 “**Calibration**” .

3.15 Read Analog Data From Channel N (6013, 6017, 6018)

@Description

Read the analog input value of a specified AD channel from an analog input module at specified address in a NuDAM network.

@Syntax

```
#(Addr)(ChannelNo)<CR>
```

#	Command leading code. (1-character)
(Addr)	Address ID. (2-character)
(ChannelNo)	Channel number, range (0 - 7). (1-character) Range (0-2). For ND-6013

@Response

```
>(InputData)<CR>
```

>	Delimiter character
(InputData)	Input value from a specified channel number, the data format is a + or - sign with five decimal digits and a fixed decimal point.

@Example

```
User command: #061<CR>  
Response: >+1.6888<CR>
```

Read the analog input channel 1 of AD module at address 06 (Hexadecimal) in the network. The analog input data is +1.6888 Volts (Data format is engineering unit)

3.16 Read All Analog Data Channel

(6013, 6017, 6018)

@Description

Read all the enable analog input channel value of a specified from an analog input module at specified address in a NuDAM network.

@Syntax

```
#(Addr)A<CR>
```

#	Command leading code. (1-character)
(Addr)	Address ID. (2-character)
A	All the enable channel

@Response

```
>(InputData)(InputData)(InputData)<CR>
```

>	Delimiter character
(InputData)	Input value from a specified channel number, the data format is a + or - sign with five decimal digits and a fixed decimal point.

@Example

```
User command: #06A<CR>  
Response: >+100.88+020.66+006.79<CR>
```

Read the analog input of AD module at address 06 (Hexadecimal) in the network. The analog input data are +100.88 °C for channel 0, +020.66 °C for channel 1 and +006.79°C for channel 3. (Data format is engineering unit)

3.17 Enable/Disable channels for Multiplexing

(6013, 6017, 6018)

@Description

Enable/Disable multiplexing simultaneously for individual channel.

@Syntax

```
$(Addr)5(ChannelVal)<CR>
```

\$	Command leading code. (1-character)
(Addr)	Address ID (2-character)
5	Enable/Disable channel. (1-character)
(ChannelVal)	bit 3~0 of 1st character: control channel 7 - 4. bit 3~0 of 2nd character: control channel 3 - 0. bit value 0: Disable channel bit value 1: Enable channel (2-character)

@Response

```
!(Addr)<CR>
```

or

```
?(Addr)<CR
```

```
>
```

!	Command is valid.
?	Command is invalid.
(Addr)	Address ID.

@Example

```
User command:  $06548<CR>
Response:      !06<CR>
```

\$	Command leading code.
06	Address ID.
5	Disable/Enable channel.
48	Channel Value is 0x48. '48' is 01001000 that means enable channel 3 and channel 6, the other channels are all disable.

3.18 Read Channel Status

(6013, 6017, 6018)

@Description

Read the enable/disable status the channels of ND-6013, ND-6017 or 6018.

@Syntax

\$(Addr)6<CR>

\$	Command leading code. (1-character)
(Addr)	Address ID (2-character)
6	Read channel status. (1-character)

@Response

!(Addr)(ChannelVal)<CR>

or

?(Addr)<CR>
>

!	Command is invalid.
?	Command is invalid.
(Addr)	Address ID.
(ChannelVal)	bit 3~0 of 1st character: control channel 7 - 4. bit 3~0 of 2nd character: control channel 3 - 0. bit value 0: Disable channel bit value 1: Enable channel (2-character)

@Example

User command:	\$066<CR>
Response:	!0648<CR>

4 is equals binary 0100 that means enable channel 6 and disable channel 7, 5, 4.
8 is equals binary 1000 that means enable channel 3 and disable channel 2, 1, 0.

3.19 Read CJC Status

(6011/D, 6018)

@Description

Read the CJC (Cold Junction Compensation) sensors data.

@Syntax

```
$(Addr)3<CR>
```

\$	Command leading code.
(Addr)	Address ID
3	Read CJC status.

@Response

```
>(Data)<CR>
```

or

```
?(Addr)<CR
```

```
>
```

>	Command is invalid.
(Data)	CJC sensor' s data. Data format is engineering units. (an + or - sign with five decimal digits and a decimal fixed point. The resolution is 0.1 °C
?	Command is invalid.
(Addr)	Address ID.

@Example

```
User command:  $063<CR>  
Response:      >+0037.9<CR>
```

This command is to read analog input module CJC status at address 06H, return data is 37.9°C.

3.20 Enable/Disable CJC

(6011/D, 6018)

@Description

To disable/enable CJC of ND-6011/D and ND-6018

@Syntax

```
$(Addr)C(Status)<CR>
```

\$	Command leading code (1 character)
(Addr)	Address ID (2 character)
C	Disable/enable CJC command (1 character)
(Status)	0: Disable 1: Enable

@Response

```
!(Addr)<CR>
```

or

```
?(Addr)<CR
```

```
>
```

!	Command is valid.
?	Command is invalid.
(Addr	Address ID (2 character)
))	

@Example

```
User          $02C1<CR>
command:
Response:     !02<CR>
```

To enable CJC and module' s address is 02H.

3.21 Read enable/disable CJC Status (6011/D, 6018)

@Description

To read CJC disable/enable status of ND-6018

@Syntax

```
$(Addr)D<CR>
```

\$	Command leading code (1 character)
(Addr)	Address ID (2 character)
D	Read CJC disable/enable status command (1 character)

@Response

```
!(Addr)(Status)<CR>
```

or

```
?(Addr)<CR>
```

!	Command is valid.
?	Command is invalid.
(Stat	0: Disable
us)	1: Enable

@Example

```
User          $02D<CR>
command:
Response:     !021<CR>
```

To read CJC disable/enable status, and module's address is 02H., the CJC is enable.

3.22 Read Open Thermocouple Detection of Channel N

(6011/D, 6018)

@Description

Read the status of open thermocouple from specified channel number or all channel.

@Syntax

`$(Addr)B(ChannelNo)<CR>`

\$	Command leading code.
(Addr)	Address ID
B	Open thermocouple detection command code
ChannelNo	Channel number, range(0-7) for specified channel, A for all the channel

@Response

`!(Addr)(OpSts)<CR>`

or

`?(Addr)<CR>`

!	Command is invalid.
(Addr)	Address ID
(OpSts)	For specified channel (0-7) (1 character) 0: Close thermocouple 1: Open thermocouple For all the channel (00-FF) (2 character) Two character hexadecimal value, for bit 0-7 Representing the corresponding open thermocouple status channel 0-7.
?	Command is invalid.

@Example

```
User command: $01B0<CR>
```

```
Response: !011<CR>
```

```
! Command is valid.  
 01 Address ID.  
 1 Open thermocouple of channel 0
```

```
User command: $01BA<CR>
```

```
Response: !1FE<CR>
```

```
! Command is valid.  
 01 Address ID.  
FE Open thermocouple of channel 1~7  
 Close thermocouple of channel 0
```

Notice: The open detection function is immediate scanning by hardware every 500ms. Disable channel and input out of high temperature range will be recognized as open T/C.

3.23 Enable/Disable Open Thermocouple Detection

@Description (6018)

Enable and disable the open thermocouple detection function.

@Syntax

`$(Addr)O(Status)<CR>`

\$	Command leading code.
(Addr)	Address ID
O	Enable/Disable Open thermocouple detection command
(Status)	0: Disable Open thermocouple detection 1: Enable Open thermocouple detection

@Response

`!(Addr)<CR>`

or

`?(Addr)<CR`

`>`

!	Command is invalid.
(Addr)	Address ID.
?	Command is invalid.

@Example

User command:	<code>\$05O0<CR></code>
Response:	<code>!05<CR></code>

This command is to disable Open thermocouple detection.

User command:	<code>\$05O1<CR></code>
Response:	<code>!05<CR></code>

This command is to enable Open thermocouple detection.

3.24 Read Source High/Low Values for Linear Mapping

(6014D)

@Description

Read the high/low limit values from input for linear mapping.

@Syntax

\$(Addr)3<CR>

\$	Command leading code.
(Addr)	Address ID
3	Read the high/low limit values from input for linear mapping .

@Response

!(Addr)(Data_L)(Data_H)<CR>

or

?(Addr)<CR>

!	Command is invalid.
(Addr)	Address ID.
(Data_L)	Low limit value for linear mapping. Data format is with an + or - sign with five decimal digits and a decimal fixed point.
(Data_H)	High limit value for linear mapping. Data format is with an + or - sign with five decimal digits and a decimal fixed point.
?	Command is invalid.

@Example

User command:	\$023<CR>
Response:	!02+04.000+20.000<CR>

The module is configured for +20~-20mA input current range. The linear mapping function should already have been executed. This command is to read the high/low values for linear mapping. The high limit value is +20mA and low limit value is +4mA. The address of this module is 06H.

3.25 Read Target High/Low Values for Linear Mapping

(6014D)

@Description

Read the mapped high/low limit values from input for linear mapping.

@Syntax

\$(Addr)5<CR>

\$	Command leading code.
(Addr)	Address ID
5	Read the mapped high/low limit values from input for linear mapping .

@Response

!(Addr)(Data_L)(Data_H)<CR>

or

?(Addr)<CR>

!	Command is invalid.
(Addr)	Address ID.
(Data_L)	Mapped low limit value for linear mapping. Data format is with an + or - sign with five decimal digits and a decimal fixed point.
(Data_H)	Mapped high limit value for linear mapping. Data format is with an + or - sign with five decimal digits and a decimal fixed point.
?	Command is invalid.

@Example

User command:	\$055<CR>
Response:	!05-20.000+20.000<CR>

The module is configured for +20~-20mA input current range. The linear mapping function had been executed. This command is to read the mapped high/low values for linear mapping. The mapped high limit value is +20mA and mapped low limit value is -20mA. The address of this module is 05H.

3.26 Write Source High/Low Values for Linear Mapping

(6014D)

@Description

Write the source high/low limit values from input for linear mapping.

@Syntax

`$(Addr)6(Data_L)(Data_H)<CR>`

\$	Command leading code.
(Addr)	Address ID
6	Set the high/low limit values from input for linear mapping .
(Data_L)	Low limit input value for linear mapping. It must be lower than the high limit input value. The format of data is the same as input current range. The minimum input value could equal to the minimum input value of input current range. Data format is with an + or - sign with five decimal digits and a decimal fixed point.
(Data_H)	High limit input value for linear mapping. It must be higher than the low limit input value. The format of data is the same as input current range. The maximum input value could equal to the maximum input value of input current range. Data format is with an + or - sign with five decimal digits and a decimal fixed point.

@Response

`!(Addr)<CR>`
or
`?(Addr)<CR>`

!	Command is invalid.
(Addr)	Address ID.
?	Command is invalid.

@Example

User command: \$036-100.00+100.00<CR>
Response: !03<CR>

The module is configured for +150~-150mV input range. This command is to set the input high/low values from +100.00 to -100.00mV for linear mapping. The address of this module is 05H.

3.27 Write Target High/Low Values for Linear Mapping

(6014D)

@Description

Write the target high/low limit values from input for linear mapping.

@Syntax

\$(Addr)7(Data_L)(Data_H)<CR>

\$	Command leading code.
(Addr)	Address ID
7	Set the mapped high/low limit values from input for linear mapping .
(Data_L)	Mapped low limit input value for linear mapping. It must be lower than the mapped high limit input value. Data format is with an + or - sign with five decimal digits and a decimal fixed point.
(Data_H)	Mapped high limit input value for linear mapping. It must be Higher than mapped the low limit input value. Data format is with an + or - sign with five decimal digits and a decimal fixed point.

@Response

!(Addr)<CR>
or
?(Addr)<CR>

!	Command is invalid.
(Addr)	Address ID.
?	Command is invalid.

@Example

User command: \$036-100.00+100.00<CR>
Response: !03<CR>

The module is configured for +150~-150mV input range. This command is to set the input high/low values from +100.00 to -100.00mV for linear mapping. The address of this module is 03H.

3.28 Enable/Disable Linear Mapping

(6014D)

@Description

Enable or disable the linear mapping function for the module.

@Syntax

\$(Addr)A(Status)<CR>

\$	Command leading code.
(Addr)	Address ID
A	Reference to control the linear mapping function.
(Status)	One char to determine the linear mapping function enable or disable. 1: means enable. 0: means disable.

@Response

!(Addr)<CR>
or
?(Addr)<CR>

!	Command is invalid.
(Addr)	Address ID.
?	Command is invalid.

@Example

```
User command:  $03A1<CR>
Response:      !03<CR>
```

This command set the linear mapping function of ND-6014D is enable, and the address of this module is 03H.

3.29 Read enable/Disable Linear Mapping Status

(6014D)

@Description

Read enable or disable the linear mapping status for the module.

@Syntax

\$(Addr)R<CR>

- \$** Command leading code.
- (Addr)** Address ID
- R** Read to the linear mapping status.

@Response

!(Addr)(Status)<CR>

or

?(Addr)<CR>

- !** Command is invalid.
- (Addr)** Address ID.
- (Status)** One char to means the state of linear mapping.
1: means enable.
0: means disable.
- ?** Command is invalid.

@Example

```
User command:  $07R<CR>  
Response:      !070<CR>
```

This command means the linear mapping function of ND-6014D is disable, and the address of this module is 07H.

3.30 CJC Offset Calibration

(6011/D, 6018)

@Description

To correct the CJC offset errors use CJC (Cold Junction Compensation) offset calibration.

@Syntax

\$(Addr)9(Counts)<CR>

\$	Command leading code
(Addr)	Address ID
9	CJC offset calibration.
(Counts)	It is a 4-characters (Hexadecimal) with a sign + or -, range is 0000 to FFFF, each count equals approximately 0.0153°C. Example: +0042 = $4 \times 16 + 2 = 66$ $66 * 0.0153^\circ\text{C} = 1.009^\circ\text{C}$

@Response

!(Addr)<CR>

or

?(Addr)<CR>
>

!	Command is valid.
?	Command is invalid.
(Addr)	Address ID.

@Example

User command:	\$089+0042<CR>
Response:	!08<CR>

CJC offset calibration at address 08H. The calibrated offset temperature is +0042(Hex) = 66, $66 \times 0.0153^\circ\text{C} = 1.009^\circ\text{C}$

3.31 Clear Latched Alarm

(6011/D, 6012/D, 6014D)

@Description

Clear the High/Low alarm state at specified analog input module.

@Syntax

@(Addr)CA<CR>

@	Command leading code.
(Addr)	Address ID
CA	Clear latched alarm.

@Response

!(Addr)<CR>

!	Command is valid.
(Addr)	Address ID.

@Example

User command:	@06CA<CR>
Response:	!06<CR>

Clear the both High/Low latch alarm state at address 06H.

3.32 Clear Event Counter

(6011/D, 6012/D, 6014D)

@Description

Reset the event counter to zero at specified analog input module.

@Syntax

@(Addr)CE<CR>

@	Command leading code.
(Addr)	Address ID
CE	Clear event counter.

@Response

!(Addr)<CR>

!	Command is valid.
(Addr)	Address ID.

@Example

User command:	@06CE<CR>
Response:	!06<CR>

Set the event counter to zero at address 06H, response data means its event counter has been reset.

3.33 Disable Alarm

(6011/D, 6012/D, 6014D)

@Description

Disable High/Low alarm functions at specified analog input module.

@Syntax

@(Addr)DA<CR>

@	Command leading code.
(Addr)	Address ID
DA	Disable Alarm.

@Response

!(Addr)<CR>

!	Command is valid.
(Addr)	Address ID.

@Example

User command:	@06DA<CR>
Response:	!06<CR>

Disable all alarm functions at address 06H.

3.34 Read Digital I/O and Alarm Status

(6011/D, 6012/D, 6014D)

@Description

Read the digital input channel, digital output channel and the alarm state at specified analog input module.

@Syntax

@(Addr)DI<CR>

@	Command leading code.
(Addr)	Address ID
DI	Read digital I/O and alarm state.

@Response

!(Addr)(Alarm)(DigitalO)(Digitall)<CR>

!	Command is invalid.
(Addr)	Address ID.
(Alarm)	0: alarm is disable 1: MOMENTARY mode enable. 2: LATCH mode enable. (1-character)
(DigitalO)	Digital output channel, port 0 and 1 status. 00: channel 0 is OFF, channel 1 is OFF 01: channel 0 is ON , channel 1 is OFF 02: channel 0 is OFF, channel 1 is ON 03: channel 0 is ON , channel 1 is ON (2-character)
(Digitall)	Digital input channel, port status. 00: channel is LOW. 01: channel is HIGH. (2-character)

@Example

```
User command: @06DI<CR>  
Response: !0620301<CR>
```

Item	Meaning	Description
!	(Leading Code)	Command leading code.
06	(Addr)	Analog module' s address ID is 06H.
2	(Alarm)	2 means alarm state is LATCH.
03	(DigitalO)	Digital output channel status. 03 : channel 0 is ON channel 1 is ON
01	(DigitalI)	Digital input channel status 01 : digital input is HIGH.

Read digital I/O and alarm at address 06H. alarm state is LATCH, digital output channel port 0 and 1 are ON and digital input channel is HIGH.

3.35 Set Digital Output

(6011/D, 6012/D, 6014D)

@Description

Set digital output channel at specified module.

@Syntax

```
@(Addr)DO(OutData)<CR>
```

@	Command leading code.
(Addr)	Address ID
DO	Set digital output
(OutData)	Digital output data (.2 - characters) 00: bit 1 is OFF, bit 0 is OFF. 01: bit 1 is OFF, bit 0 is ON. 02: bit 1 is ON , bit 0 is OFF 03: bit 1 is ON , bit 0 is ON.

@Response

```
!(Addr)<CR>
```

or

```
?(Addr)<CR  
>
```

!	Command is valid.
?	Command is invalid.
(Addr)	Address ID.

@Example

```
User command: @06DO02<CR>  
Response: !06<CR>
```

Set the digital output channel state at address 06H, digital output channel port 0 is OFF, port 1 is ON.

3.36 Enable Alarm

(6011/D, 6012/D, 6014D)

@Description

Enable alarm to Latch mode or Momentary mode at specified analog input module.

@Syntax

@(Addr)EA(Mode)<CR>

@	Command leading code.
(Addr)	Address ID
EA	Enable alarm command code
(Mode)	M : enable alarm to MOMENTARY mode. L : enable alarm to LATCH mode.

@Response

!(Addr)<CR>

!	Command is valid.
(Addr)	Address ID.

@Example

User command: @06EAL<CR>
Response: !06<CR>

Enable alarm to LATCH mode at address 06H.

User command: @06EAM<CR>
Response: !06<CR>

Enable alarm to MOMENTARY mode at address 06H.

3.37 Set High Alarm

(6011/D, 6012/D, 6014D)

@Description

Set high alarm limit value at specified analog input module.

@Syntax

@(Addr)HI(Data)<CR>

@	Command leading code.
(Addr)	Address ID
HI	Set high alarm limit value.
(Data)	Alarm high limit value.
	Data format is engineering units. (an + or - sign with five decimal digits and a decimal fixed point.)

@Response

!(Addr)<CR>

!	Command is valid.
(Addr)	Address ID.

@Example

User command:	@06HI+300.00<CR>
Response:	!06<CR>

Set high alarm limit value to 300°C for type J thermocouple to input at address 06H.

3.38 Set Low Alarm

(6011/D, 6012/D, 6014D)

@Description

Set low alarm limit value at specified analog input module.

@Syntax

@(Addr)LO(Data)<CR>

@	Command leading code
(Addr)	Address ID
LO	Set low alarm limit value.
(Data)	Alarm low limit value.

Data format is engineering units. (an + or - sign with five decimal digits and a decimal fixed point.)

@Response

!(Addr)<CR>

!	Command is valid.
(Addr)	Address ID.

@Example

User command:	@06LO+100.00<CR>
Response:	!06<CR>

Set low alarm limit value to +100°C to accept J-type thermocouple input at address 06H.

3.39 Read Event Counter

(6011/D, 6012/D, 6014D)

@Description

Read the event counter value at specified analog input module.

@Syntax

@(Addr)RE<CR>

@	Command leading code.
(Addr)	Address ID
RE	Read event counter.

@Response

!(Addr)(Data)<CR>

!	Command is valid.
(Addr)	Address ID.
(Data)	5-character (Decimal), range 00000 to 65535, if the event counter exceed 65535 then event counter value is 65535 (No changed). (5-character)

@Example

User command:	@06RE<CR>
Response:	!0612345<CR>

Read event counter, its value is 12345 (Decimal) at address 06H.

3.40 Read High Alarm Limit

(6011/D, 6012/D, 6014D)

@Description

Read the high alarm limit at specified analog input module.

@Syntax

@(Addr)RH<CR>

@	Command leading code.
(Addr)	Address ID
RH	Read high alarm limit.

@Response

!(Addr)(Data)<CR>

!	Command is valid.
(Addr)	Address ID.
(Data)	High alarm limit value. Data format is engineering units. (an + or - sign with five decimal digits and a decimal fixed point.)

@Example

User command:	@06RH<CR>
Response:	!06+01.500<CR>

Read the high alarm limit value at address 06H, its value is 1.500 Volts, presume this module is configured to accept ± 2.5 Volts input.

3.41 Read Low Alarm Limit

(6011/D, 6012/D, 6014D)

@Description

Read the low alarm limit at specified analog input module.

@Syntax

@(Addr)RL<CR>

@	Command leading code.
(Addr)	Address ID, range (00 - FF).
RL	Read low alarm limit.

@Response

!(Addr)(Data)<CR>

!	Command is valid.
(Addr)	Address ID.
(Data)	Alarm low limit value. Data format is engineering units. (an + or - sign with five decimal digits and a decimal fixed point.)

@Example

User command:	@06RL<CR>
Response:	!06-0.3850<CR>

Read the low alarm limit value at address 06H, its value is -0.3850 Volts, presume this module is configured to accept 1 Volts input.

3.42 Read Leading Code Setting

@Description

Read command leading code setting and host watchdog status.

@Syntax

```
~(Addr)0<CR>  
>
```

~	Command leading code.
(Addr)	Address ID
0	Read command leading code setting.

@Response

```
!(Addr)(Status)(C1)(C2)(C3)(C4)(C5)(C6)<CR>  
or  
?(Addr)<CR>  
>
```

!	Command is valid.
?	Command is invalid.
(Addr)	Address ID
(Status)	(2-character) Bit 0: Reserved Bit 1: Power failure or watchdog failure Bit 2: Host watchdog is enable Bit 3: Host failure
(C1)	Leading code 1, for read configuration status, firmware version, etc. default is \$. (1-character)
(C2)	Leading code 2, for read synchronize sampling, digital output, default is #. (1-character)
(C3)	Leading code 3, for change configuration. default is %. (1-character)
(C4)	Leading code 4, for read alarm status, enable alarm, etc. default is @. (1-character)

- (C5) Leading code 5, for read command leading code, change command leading code, etc. default is ~. **(1-character)**
- (C6) Leading code 6, this leading code is reserved. default is *. **(1-character)**

@Example

```
User command: ~060<CR>
Response: !0600$#%@~*<CR>
```

Command leading code setting is \$#%@~* for module address ID i s 06, current status is factory default setting.

3.43 Change Leading Code Setting

(6011/D, 6012/D, 6013
6014D, 6017, 6018)

@Description

User can use this command to change command leading code setting as he desired.

@Syntax

~(Addr)10(C1)(C2)(C3)(C4)(C5)(C6)<CR>

~	Command leading code.
(Addr)	Address ID, range (00 - FF).
10	Change command leading code setting.
(C1)	Leading code 1, for read configuration status, firmware version, etc. default is \$. (1-character)
(C2)	Leading code 2, for read synchronize sampling, digital output ,default is #. (1-character)
(C3)	Leading code 3, for change configuration. default is %. (1-character)
(C4)	Leading code 4, for read alarm status, enable alarm, etc. default is @. (1-character)
(C5)	Leading code 5, for read command leading code, change leading code, etc. default is ~. (1-character)
(C6)	Leading code 6, this leading code is reserved. default is *. (1-character)

@Response

!(Addr)< CR>

or

?(Addr)<CR>

!	Command is valid.
?	Command is invalid.
(Addr)	Address ID.

@Examples

```
User command: ~060<CR>
Response:      !0600$#%@~* <CR>

User command: ~0610A#%@~* <CR>
Response:      !06<CR>

User command:  A06F
Response:      !06A1.8<CR>
```

Read leading code setting is \$#%@~* for module address 06 and change leading code \$ to A, then use A06F to read firmware version of module on address 06.

*** WARNING ***

- We do not recommend users to change the default setting of leading code, because it will confuse yourself.
- The leading code change only use the command conflicts other devices of other brand on the network.
- The changing of leading code is not necessary if all modules in a network are NuDAMs' .

3.44 Set Host Watchdog Timer & Safety Value

(6011/D, 6012/D, 6013
6014D, 6017, 6018)

@Description

Set host watchdog timer, module will change to safety state when host is failure. Define the output value in this command.

@Syntax

~(Addr)2(Flag)(TimeOut)(SafeValue)<CR>

~	Command leading code.
(Addr)	Address ID, range (00 - FF).
2	Set host watchdog timer and safe state value.
(Flag)	0: Disable host watchdog timer 1: Enable host watchdog timer (1-character)
(TimeOut)	Host timeout value, between this time period host must send (Host is OK) command to module, otherwise module will change to safety state. Range 01 - FF. (2-character) One unit is 100 ms 01 = 1 * 100 = 100 ms FF = 255 * 100 = 25.5 sec
(SafeValue)	2 channels safety value of digital output channels when host is failure. (2-character)

@Response

!(Addr)<CR
>

or

?(Addr)<CR
>

!	Command is valid.
?	Command is invalid.
(Addr)	Address ID

@Example

```
User command: ~06211203<CR>  
Response: !06<CR>
```

06 Address ID
2 Set host watchdog timer and safe state value.
1 Enable host watchdog timer.
12 Timeout value. $0x12 = 18$
 $18 * 100 = 1800$ ms
03 03 (00000011) The two digital output channels are high as failure or reset.

3.45 Read Host Watchdog Timer & Safety Value

@Description (6011/D, 6012/D, 6013
6014D, 6017, 6018)
Read host watchdog timer setting and the safety value.

@Syntax

```
~(Addr)3<CR>  
>
```

~ Command leading code.
(Addr) Address ID
3 Read host watchdog setting and module safety state value.

@Response

```
!(Addr) (Flag)(TimeOut)(SafeValue)<CR>  
or  
?(Addr)<CR>  
>
```

! Command is invalid.
? Command is invalid.
(Addr) Address ID, range (00 - FF).
(Flag) 0: Host watchdog timer is disable
1: Host watchdog timer is enable(**1-character**)
(TimeOut) Host timeout value.
Range 01 - FF. (**2-character**)
One unit is 100 ms
01 = 1 * 100 = 100 ms
FF = 255 * 100 = 25.5 sec
(SafeValue) 2 channels safety state digital output value when host is failure. (**2-character**)

@Example

```
User command: ~063<CR>  
Response: !0611203<CR>
```

06 Address ID
1 Host watchdog timer is enable.
12 Timeout value. 0x12 = 18
18 * 100 = 1800 ms
03 (00000011) The safety status of the two digital output channels are high.

3.46 Host is OK

(6011/D, 6012/D, 6013
6014D, 6017, 6018)

@Description

When host watchdog timer is enable, host computer must send this command to every module before timeout otherwise “**host watchdog timer enable**” module’ s output value will go to safety state output value.

Timeout value and safety state output value is defined in 3.30. “ Set Host Watchdog Timer & Safety Value”

@Syntax

```
~**<CR>  
>
```

~ Command leading code.
** Host is OK.

@Response

Note: Host is OK command **has NO response.**

@Example

```
User command: ~**<CR>
```

4

Data Format and Input Range

4.1 Data Format of Analog Input Modules

There are four types of data format used in analog input modules.

1. Engineering units
2. Percent of FSR (Full Scale Range)
3. Two's complements hexadecimal
4. Ohms

Engineering Units

- Set bit 1 and bit 0 of data format variable to "00" means the data is represented in engineering units.
- This data format including three components.
 1. sign (+ or -)
 2. digits
 3. decimal point
- Data is composed with a sign (+ or -) followed with 5-digits and a decimal point.
- It does not exceed 7-characters.

The different analog input ranges have different resolutions or number of decimal places. Refer to Table 4-1 for details.

Input Range	Resolution	
± 15 mV, ± 50 mV	1 μ V	three decimal places
± 100 mV, ± 150 mV, ± 500 mV	10 μ V	two decimal places
± 1 V, ± 2.50 V, ± 5 V	100 μ V	four decimal places
± 10 V	1 mV	three decimal places
± 20 mA	1 μ A	three decimal places
Type J and T thermocouple, RTD	0.01 $^{\circ}$ C	two decimal places
Type K, E, R, S, B, N and C thermocouple	0.1 $^{\circ}$ C	one decimal places

Table 4-1 Data format and resolution

Example 1:

- Input Range is ± 5 V
- Input is -1.37 Volts

engineering units: **-1.3700<CR>**

Example 2:

- Input Range is ± 10 V
- Input is +3.653 Volts

engineering units: **+03.653<CR>**

Example 3:

- Input Range is Type K thermocouple (range 0 $^{\circ}$ C to 1000 $^{\circ}$ C)
- Input is 406.5 $^{\circ}$ C

engineering units: **+0406.5<CR>**

Example 4:

- Input Range is Type T thermocouple (range -100 $^{\circ}$ C to 400 $^{\circ}$ C)
- Input is -50.5 $^{\circ}$ C

engineering units: **-050.50<CR>**

Percent of FSR (Full Scale Range)

- Data format bit 1 and 0 set to 01 is percent of FSR.
- This data format including three components.
 1. sign (+ or -)
 2. digits
 3. decimal point

- Data is sign (+ or -) followed with 5-digits and a decimal point.
- It does not exceed 7-characters.
- Maximum resolution is 0.01%, the decimal point is fixed.
- Data is the ratio of input signal to the value of full scale range.

Example 1:

- Input Range is ± 5 V
- Input is +1 Volts

% of FSR: **+020.00<CR>**
 $(+ (20/100) \times 5 \text{ V}) = +1 \text{ V}$

Example 2:

- Input Range is ± 10 V
- Input is +4 Volts

% of FSR: **+040.00<CR>**
 $(+ (40/100) \times 10 \text{ V}) = +4 \text{ V}$

Example 3:

- Input Range is Type K thermocouple (range 0°C to 1000°C)
- Input is 406.5°C

% of FSR: **+040.65<CR>**
 $(+ (40.65/100) \times 1000^\circ\text{C}) = 406.5^\circ\text{C}$

Two's Complement Hexadecimal

- Data format bit 1 and 0 set to 10 is 2' s complement.
- Data is 4-character(16 binary bits) hexadecimal string.
- Positive full scale is 7FFF (+32767)
- Negative full scale is 8000 (-32768)

Example 1:

- Input Range is ± 5 V
- Input is +1 Volts

Two' s complement hexadecimal: **1999<CR>**
 $((1/5) \times 32768) = 6553.6 = 1999\text{H}$

Example 2:

- Input Range is ± 5 V
- Input is -2 Volts

Two's complement hexadecimal: **CD27<CR>**
 $((-2/5) \times 32768) = -13107.2 = \text{CD27H}$

Example 3:

- Input Range is ± 10 V
- Input is +4 Volts

Two's complement hexadecimal: **3333<CR>**
 $((4/10) \times 32768) = 13107.2 = 3333\text{H}$

Example 4:

- Input Range is Type K thermocouple (range 0°C to 1000°C)
- Input is 406.5°C

Two's complement hexadecimal: **3408<CR>**
 $((406.5/1000) \times 32768) = 13320.2 = 3408\text{H}$

Ohm

- Data format bit 1 and 0 set to 11 is ohm presentation.
- This data format including three components.
 1. sign (+)
 2. digits
 3. decimal point
- Data is sign (+) followed with 5-digits and a decimal point.
- It does not exceed 7-characters.
- Maximum resolution is 0.01ohm, the decimal point is fixed.

Example 1:

- Input Range is Pt-100, -100°C to $+100^{\circ}\text{C}$, $\alpha=0.00385$
- Input is 120.23 ohm

ohm: **+120.23<CR>**

4.2 Analog Input Range

The following table shows the relation between the input range setting with the data format and the resolution.

Engineering Units Table:

Code	Input Range	Data Format	+Full Scale	Zero	- Full Scale	Displayed Resolution
00	±15mV	Eng. Units	+15.000	±00.000	-15.000	1μV
01	±50mV	Eng. Units	+50.000	±00.000	-50.000	1μV
02	±100mV	Eng. Units	+100.00	±000.00	-100.00	10μV
03	±500mV	Eng. Units	+500.00	±000.00	-500.00	10μV
04	±1V	Eng. Units	+1.0000	±0.0000	-1.0000	100.00μV
05	±2.5V	Eng. Units	+2.5000	±0.0000	-2.5000	100.00μV
06	±20mA	Eng. Units	+20.000	±00.000	-20.000	1μA
07	Reserved					
08	±10V	Eng. Units	+10.000	±00.000	-10.000	1mV
09	±5V	Eng. Units	+5.0000	±0.0000	-5.0000	100.00μV
0A	±1V	Eng. Units	+1.0000	±0.0000	-1.0000	100.00μV
0B	±500mV	Eng. Units	+500.00	±000.00	-500.00	10μV
0C	±150mV	Eng. Units	+150.00	±000.00	-150.00	10μV
0D	±20mA	Eng. Units	+20.000	±00.000	-20.000	1μA

Code	Input Range	Data Format	+Full Scale	Zero	- Full Scale	Disp. Reso.
20	Pt-100, -100°C to +100°C, $\alpha=0.00385$	Eng. Units	+100.00	±000.00	-100.00	0.01°C
21	Pt-100, 0°C to +100°C, $\alpha=0.00385$	Eng. Units	+100.00	+000.00	+000.00	0.01°C
22	Pt-100, 0°C to +200°C, $\alpha=0.00385$	Eng. Units	+200.00	+000.00	+000.00	0.01°C
23	Pt-100, 0°C to +600°C, $\alpha=0.00385$	Eng. Units	+600.00	+000.00	+000.00	0.01°C
24	Pt-100, -100°C to +100°C, $\alpha=0.003916$	Eng. Units	+100.00	±000.00	-100.00	0.01°C
25	Pt-100, 0°C to +100°C, $\alpha=0.003916$	Eng. Units	+100.00	+000.00	+000.00	0.01°C

26	Pt-100, 0°C to +200°C, $\alpha=0.003916$	Eng. Units	+200.00	+000.00	+000.00	0.01°C
27	Pt-100, 0°C to +600°C, $\alpha=0.003916$	Eng. Units	+600.00	+000.00	+000.00	0.01°C
28	Ni-100, 0°C to +100°C	Eng. Units	+100.00	+000.00	+000.00	0.01°C
29	Ni-120, 0°C to +100°C	Eng. Units	+100.00	+000.00	+000.00	0.01°C
2A	0 Ohm to 600hm	Ohms	+60.00	+000.00	+000.00	0.01°C

Percent of Full Scale Range Table:

Code	Input Range	Data Format	+Full Scale	Zero	- Full Scale	Displayed Resolution
00	±15mV	% of FSR	+100.00	±000.00	-100.00	0.01%
01	±50mV	% of FSR	+100.00	±000.00	-100.00	0.01%
02	±100mV	% of FSR	+100.00	±000.00	-100.00	0.01%
03	±500mV	% of FSR	+100.00	±000.00	-100.00	0.01%
04	±1V	% of FSR	+100.00	±000.00	-100.00	0.01%
05	±2.5V	% of FSR	+100.00	±000.00	-100.00	0.01%
06	±20mA	% of FSR	+100.00	±000.00	-100.00	0.01%
07	Reserved					
08	±10V	% of FSR	+100.00	±000.00	-100.00	0.01%
09	±5V	% of FSR	+100.00	±000.00	-100.00	0.01%
0A	±1V	% of FSR	+100.00	±000.00	-100.00	0.01%
0B	±500mV	% of FSR	+100.00	±000.00	-100.00	0.01%
0C	±150mV	% of FSR	+100.00	±000.00	-100.00	0.01%
0D	±20mA	% of FSR	+100.00	±000.00	-100.00	0.01%

Tow's Complement Table:

Code	Input Range	Data Format	+Full Scale	Zero	- Full Scale	Displayed Resolution
00	$\pm 15\text{mV}$	2' s Comp.	7FFF	0000	8000	1 LSB
01	$\pm 50\text{mV}$	2' s Comp.	7FFF	0000	8000	1 LSB
02	$\pm 100\text{mV}$	2' s Comp.	7FFF	0000	8000	1 LSB
03	$\pm 500\text{mV}$	2' s Comp.	7FFF	0000	8000	1 LSB
04	$\pm 1\text{V}$	2' s Comp.	7FFF	0000	8000	1 LSB
05	$\pm 2.5\text{V}$	2' s Comp.	7FFF	0000	8000	1 LSB
06	$\pm 20\text{mA}$	2' s Comp.	7FFF	0000	8000	1 LSB
07	Reserved					
08	$\pm 10\text{V}$	2' s Comp.	7FFF	0000	8000	1 LSB
09	$\pm 5\text{V}$	2' s Comp.	7FFF	0000	8000	1 LSB
0A	$\pm 1\text{V}$	2' s Comp.	7FFF	0000	8000	1 LSB
0B	$\pm 500\text{mV}$	2' s Comp.	7FFF	0000	8000	1 LSB
0C	$\pm 150\text{mV}$	2' s Comp.	7FFF	0000	8000	1 LSB
0D	$\pm 20\text{mA}$	2' s Comp.	7FFF	0000	8000	1 LSB

The following table shows the relation between the input range setting with the data format and the resolution when using ND-6011/D or 6018 to measure temperature by thermocouple.

Code	Input Range Thermocouple	Data Format	Maximum	Minimum	Displayed Resolution
0E	J (0°C to 760°C)	Eng. Units	+760.00	+000.00	0.01°C
0F	K (0°C to 1000°C)	Eng. Units	+1000.0	+0000.0	0.1°C
10	T (-100°C to 400°C)	Eng. Units	+400.00	-100.00	0.01°C
11	E (0°C to 1000°C)	Eng. Units	+1000.0	+0000.0	0.1°C
12	R (500°C to 1750°C)	Eng. Units	+1750.0	+0500.0	0.1°C
13	S (500°C to 1750°C)	Eng. Units	+1750.0	+0500.0	0.1°C
14	B (500°C to 1800°C)	Eng. Units	+1800.0	+0500.0	0.1°C
15	N (-270°C to 1300°C)	Eng. Units	+1300.0	-0270.0	0.1°C
16	C (0°C to 2320°C)	Eng. Units	+2320.0	+0000.0	0.1°C

Code	Input Range Thermocouple	Data Format	Maximum	Minimum	Displayed Resolution
0E	J (0°C to 760°C)	% of FSR	+100.00	+000.00	0.01%
0F	K (0°C to 1000°C)	% of FSR	+100.00	+000.00	0.01%
10	T (-100°C to 400°C)	% of FSR	+100.00	-025.00	0.01%
11	E (0°C to 1000°C)	% of FSR	+100.00	+000.00	0.01%
12	R (500°C to 1750°C)	% of FSR	+100.00	+028.57	0.01%
13	S (500°C to 1750°C)	% of FSR	+100.00	+028.57	0.01%
14	B (500°C to 1800°C)	% of FSR	+100.00	+027.27	0.01%
15	N (-270°C to 1300°C)	% of FSR	+100.00	-020.76	0.01%
16	C (0°C to 2320°C)	% of FSR	+100.00	+000.00	0.01%

Code	Input Range Thermocouple	Data Format	Maximum	Minimum	Displayed Resolution
0E	J (0°C to 760°C)	2 ^s Comp.	7FFF	0000	1 LSB
0F	K (0°C to 1000°C)	2 ^s Comp.	7FFF	0000	1 LSB
10	T (-100°C to 400°C)	2 ^s Comp.	7FFF	E000	1 LSB
11	E (0°C to 1000°C)	2 ^s Comp.	7FFF	0000	1 LSB
12	R (500°C to 1750°C)	2 ^s Comp.	7FFF	2492	1 LSB
13	S (500°C to 1750°C)	2 ^s Comp.	7FFF	2492	1 LSB
14	B (500°C to 1800°C)	2 ^s Comp.	7FFF	238E	1 LSB
15	N (-270°C to 1300°C)	2 ^s Comp.	7FFF	E56B	1 LSB
16	C (0°C to 2320°C)	2 ^s Comp.	7FFF	0000	1 LSB

5

Calibration

5.1 How to Calibrate the Analog Input Modules ?

What do you need to do calibration ?

1. One 5 1/2 digit multimeter
2. A voltage calibrator or very stable and noise free DC voltage generator.
3. A precision resistance decade box or discrete resistors.
4. NuDAM Administration Utility

Calibration Procedure for ND-6011/D, 6012/D,6014D, 6017

1. Select the correct input range, different input range have different apply calibration voltage.
2. Apply the correct **offset voltage** to the analog input module, detail voltage value, see table 5-1.
3. Send "**Offset Calibration \$(Addr)1**" to analog input module five times.
4. Apply the correct **span voltage** to the analog input module, detail voltage value, see table 5-1.
5. Send "**Span Calibration \$(Addr)0**" to analog input module five times.
6. Repeat procedure 2 to procedure 5 two times.

Calibration Procedure for ND-6013 (F/W version A3.05)

1. Select the correct input range, different input range have different apply calibration resistance.

2. Apply the correct **offset resistance** to the analog input module ND-6013 channel 0, detail resistance value, see table 5-2
3. Send "**Offset Calibration \$(Addr)10**" to analog input module ND-6013 channel 0 .
4. Apply the correct **span resistance** to the analog input module ND-6013 channel 0, detail resistance value, see table 5-2
5. Send "**Span Calibration \$(Addr)00**" to analog input module ND-6013 channel 0 .
6. Apply the correct **offset resistance** to the analog input module ND-6013 channel 1, detail resistance value, see table 5-2
7. Send "**Offset Calibration \$(Addr)11**" to analog input module ND-6013 channel 1 .
8. Apply the correct **span resistance** to the analog input module ND-6013 channel 1, detail resistance value, see table 5-2.
9. Send "**Span Calibration \$(Addr)01**" to analog input module ND-6013 channel 1 .
10. Apply the correct **offset resistance** to the analog input module ND-6013 channel 2, detail resistance value, see table 5-2.
11. Send "**Offset Calibration \$(Addr)12**" to analog input module ND-6013 channel 2 .
12. Apply the correct **span resistance** to the analog input module ND-6013 channel 2, detail resistance value, see table 5-2.
13. Send "**Span Calibration \$(Addr)02**" to analog input module ND-6013 channel 2 five times.
14. Repeat procedure 2 to procedure 13 two times.

Calibration Procedure for ND-6013 Firmware Rev C4.60

1. Only open channel one and disable the other two channels.
2. Disable open detect function
3. Select the correct input range, different input range have different apply calibration resistances.
4. Apply the correct **offset resistance** to **channel 0**, detail resistance value, see table 5-2.
5. Send "**Offset Calibration \$(Addr)1**" to analog input module five times.
6. Apply the correct **span resistance** to **channel 0**, detail resistance value, see table 5-1
7. Send "**Span Calibration \$(Addr)0**" to analog input module five times..

Repeat procedure 3 to procedure 7 two times

Calibration Procedure for ND-6018 Firmware Rev B1.10

1. Disable all the channel and open detect function
2. Select the correct input range, different input range have different apply calibration voltage.
3. Apply the correct **offset voltage** to **channel 0**, detail voltage value, see table 5-1.
4. Send "**Offset Calibration \$(Addr)1**" to analog input module five times.
5. Apply the correct **span voltage** to **channel 0**, detail voltage value, see table 5-1
6. Send "**Span Calibration \$(Addr)0**" to analog input module five times..

Repeat procedure 3 to procedure 6 two times

CJC Calibration Procedure

1. Ensure that the NuDAM units has been powered up for at least 30 minutes and is located away from sources of heat, in still air at constant temperature.
2. Place a calibrated temperature meter, with a resolution of 0.1 °C, in close proximity to the CJC sensor of the NuDAM module.
3. Send command "**Read CJC Status \$(Addr)3**" to read temperature of CJC, then compare the temperature returned from the CJC sensor with the calibrated temperature
4. If the difference is less than $\pm 0.1^{\circ}\text{C}$, the CJC offset is correctly calibrated, if it is greater or less, proceed to step 5
5. Send "**CJC Offset Calibration \$(Addr)9(+0000)**" to set initial CJC offset value to zero.
6. Repeat step 3, then proceed to step 7.
7. Send "**CJC Offset Calibration \$(Addr)9(Counts)**" to correct the CJC offset error. (counts is a 4-characters with a sign + or -, range is 0000 to FFFF, each count equals approximately 0.0153 °C). *(For more detail, please refer the CJC Offset Calibration Command).*
8. Repeat procedure 4 to procedure 7 if the CJC value still does not conform to the ambient temperature.

Analog Input Module's Calibration Voltages

Table 5-1: ND-6011/D/ND-6018 Calibration voltages

Code	Input Range	Offset Calibration voltage	Span Calibration Voltage
00	±15 mV	0 mV	+15 mV
01	±50 mV	0 mV	+50 mV
02	±100 mV	0 mV	+100 mV
03	±500 mV	0 mV	+500 mV
04	±1 V	0 V	+1 V
05	±2.5 V	0 V	+2.5 V
06	±20 mA	0 mA	+20 mA
0E	J (0°C to 760°C)	0 mV	+50 mV
0F	K (0°C to 1000°C)	0 mV	+55 mV
10	T (-100°C to 400°C)	0 mV	+30 mV
11	E (0°C to 1000°C)	0 mV	+78 mV
12	R (500°C to 1750°C)	0 mV	+25 mV
13	S (500°C to 1750°C)	0 mV	+19.5 mV
14	B (500°C to 1800°C)	0 mV	+15 mV
15	N (-270°C to 1300°C)	0 mV	+55 mV
16	C (0°C to 2320°C)	0 mV	+39 mV

Table 5-1: ND-6012/D/ND-6017 Calibration voltages

Code	Input Range	Offset Calibration voltage	Span Calibration Voltage
08	±10 V	0 mV	+10 V
09	±5 V	0 mV	+5 V
0A	±1 V	0 mV	+1 V
0B	±500 mV	0 mV	+500 mV
0C	±150 mV	0 mV	+150 mV
0D	±20 mA	0 mA	+20 mA

Table 5-2: ND-6013 Calibration Resistance

Code	Input Range	Span Calibration Resistance	Offset Calibration Resistance
20	Pt-100, -100°C to +100°C, $\alpha=.00385$	200 Ω	50 Ω
21	Pt-100, 0°C to +100°C, $\alpha=.00385$	200 Ω	50 Ω
22	Pt-100, 0°C to +200°C, $\alpha=.00385$	200 Ω	50 Ω
23	Pt-100, 0°C to +600°C, $\alpha=.00385$	350 Ω	50 Ω
24	Pt-100, -100°C to +100°C, $\alpha=.003916$	200 Ω	50 Ω
25	Pt-100, 0°C to +100°C, $\alpha=.003916$	200 Ω	50 Ω
26	Pt-100, 0°C to +200°C, $\alpha=.003916$	200 Ω	50 Ω
27	Pt-100, 0°C to +600°C, $\alpha=.003916$	350 Ω	50 Ω
28	Ni-100, 0°C to +100°C	200 Ω	50 Ω
29	Ni-120, 0°C to +100°C	350 Ω	50 Ω
2A	0 Ohm to 60Ohm	60 Ω	0 Ω

Product Warranty/Service

Seller warrants that equipment furnished will be free from defects in material and workmanship for a period of one year from the confirmed date of purchase of the original buyer and that upon written notice of any such defect, Seller will, at its option, repair or replace the defective item under the terms of this warranty, subject to the provisions and specific exclusions listed herein.

This warranty shall not apply to equipment that has been previously repaired or altered outside our plant in any way as to, in the judgment of the manufacturer, affect its reliability. Nor will it apply if the equipment has been used in a manner exceeding its specifications or if the serial number has been removed.

Seller does not assume any liability for consequential damages as a result from our products uses, and in any event our liability shall not exceed the original selling price of the equipment.

The equipment warranty shall constitute the sole and exclusive remedy of any Buyer of Seller equipment and the sole and exclusive liability of the Seller, its successors or assigns, in connection with equipment purchased and in lieu of all other warranties expressed implied or statutory, including, but not limited to, any implied warranty of merchant ability or fitness and all other obligations or liabilities of seller, its successors or assigns.

The equipment must be returned postage-prepaid. Package it securely and insure it. You will be charged for parts and labor if you lack proof of date of purchase, or if the warranty period is expired.