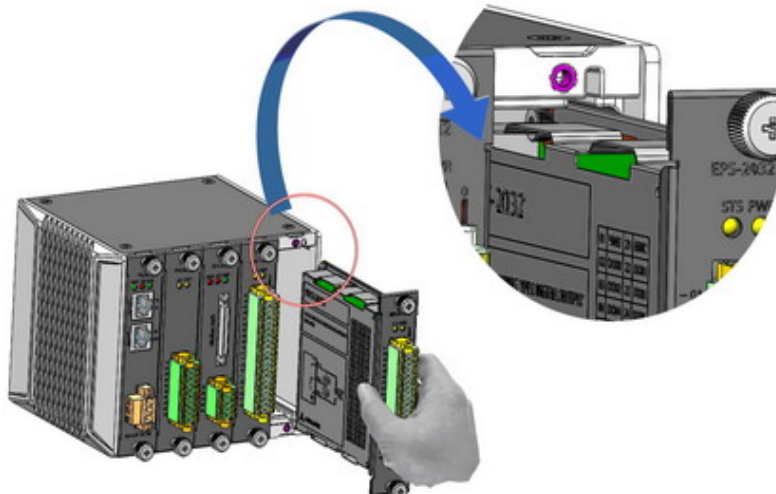
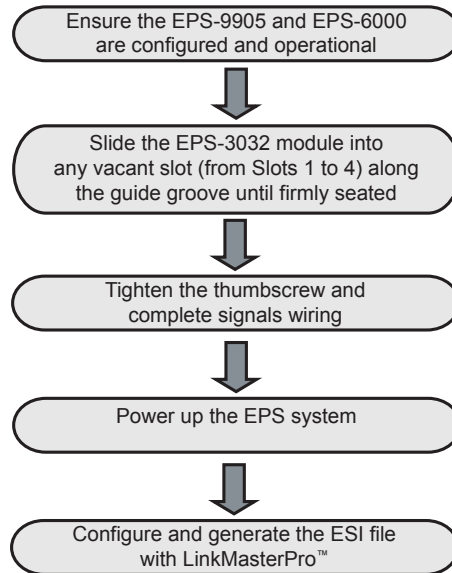


## EPS-3032

### Remote 32CH $\pm 10V$ Analog Input Module for EtherCAT

#### Getting Started



#### Specifications

Channels	32 single-ended/16 differential
Input Range	$\pm 10V$
Resolution	16 bit
Offset Error	$\pm 1mV$
Offset Drift	0.0004% of range per $^{\circ}C$
Gain Error	$\pm 0.05\%$ of FSR
Gain Drift	0.002% of FSR per $^{\circ}C$
Voltage Protection	Power On @ $\pm 24V$
Sampling Rate	100KHz C
Power Consumption from Chassis	< 450mW (max.)
Thermal Dissipation (at max temp.)	< 2.55W (max.) @ EVCC=24V+10%
Operating Temperature	-20 - 60 $^{\circ}C$
Isolation (Channel-to-DGND)	2kV (DC)
Isolation (Channel-to-Chassis)	2kV (DC)

#### Features

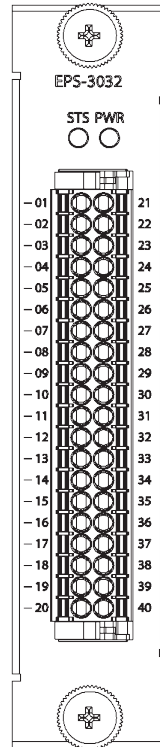
- Supports 32CH 100kS/s  $\pm 10V$  analog input
- Operable in -20 $^{\circ}C$  to 60 $^{\circ}C$  environments
- Hot-swappable under sustained power
- Compact 100 (L) x 100 (H) mm size
- Individual LED channel indicators
- Module temperature self-diagnostics

### Connector

Connector: Phoenix Contact, DFMC series, 1787195, pitch=3.5mm, 2x20pin, AWG 16-24 gauge

### Pin Definitions

Pin	Description	Pin	Description
01	NC	21	NC
02	AI00	22	AI16
03	AI01	23	AI17
04	AI02	24	AI18
05	AI03	25	AI19
06	AI04	26	AI20
07	AI05	27	AI21
08	AI06	28	AI22
09	AI07	29	AI23
10	AGND	30	AGND
11	AI08	31	AI24
12	AI09	32	AI25
13	AI10	33	AI26
14	AI11	34	AI27
15	AI12	35	AI28
16	AI13	36	AI29
17	AI14	37	AI30
18	AI15	38	AI31
19	AISE	39	AGND
20	RSV	40	AGND

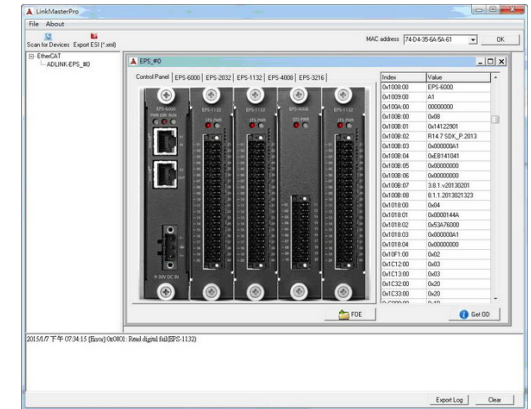


### LED Indicators

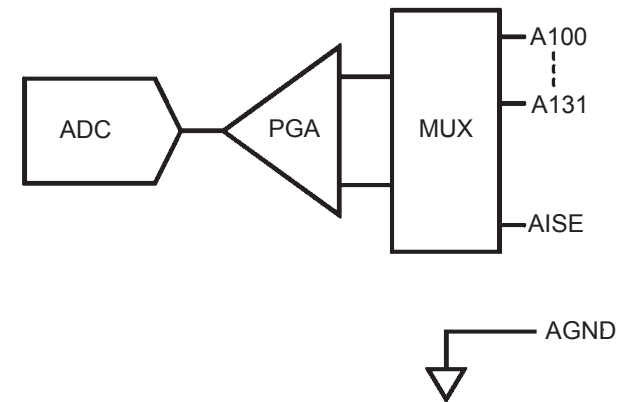
Name	Status	Function
STS	Blinking	Temperature Protection Module Present
PWR	Lit	Module Power Status

### Configuration & ESI Generation

LinkMasterPro™ is a Windows-based utility from ADLINK, helping configuration of the entire EPS system and generating corresponding EtherCAT slave information (referred to ESI) in XML format. LinkMasterPro™ automatically detects installed EPS modules and evaluates functionality of the EPS system.



### Signal Connection



**Contact ADLINK**  
 Web: <http://www.adlinktech.com>  
 Service: [service@adlinktech.com](mailto:service@adlinktech.com)  
 Tel: +886-2-8226-5877  
 Fax: +886-2-8226-3337  
 Copyright 2015 ADLINK Technology, Inc.  
 Contents and specifications subject to change without notice.



**Advance Technologies**  
 Automate the World