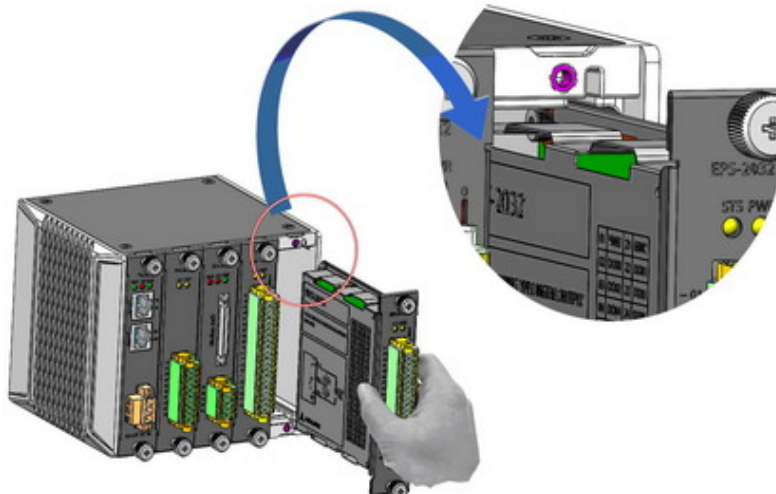
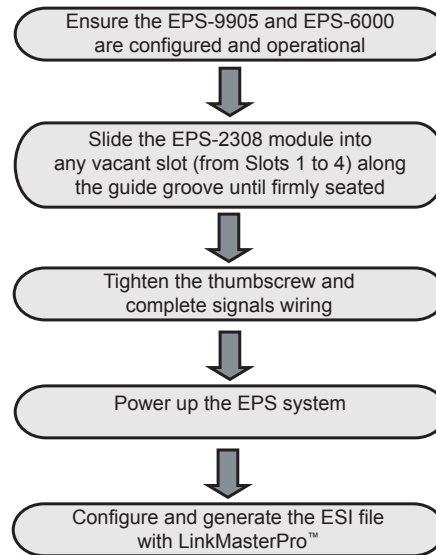


EPS-2308

Remote 8CH Relay Output Module for EtherCAT

Getting Started



Specifications

Channels	32
Type	SPST (Single pole single throw)
Maximum Switched Voltage and Current	30V/2A, 240V/0.5A
Output Impedance (Rout)	50mΩ (Typ.)
IO Protection Reverse Voltage	Yes
Power On State	Off
Response Time	Operate 10ms & release 5ms (Typ.)
Power Consumption from Chassis	< 600mW (max.)
Thermal Dissipation (at max temp.)	< 2.55W (max.) @ EVCC=24V +10
Isolation (Channel-to-DGND)	DC 2KV 1min.
Isolation (Channel-to-Chassis)	DC 2KV 1min.
Isolation (Channel-to-Channel) adjacent relay	250Vrms 1min.
Isolation (Channel-to-Channel) adjacent pin within a single relay	250Vrms 1min.

Features

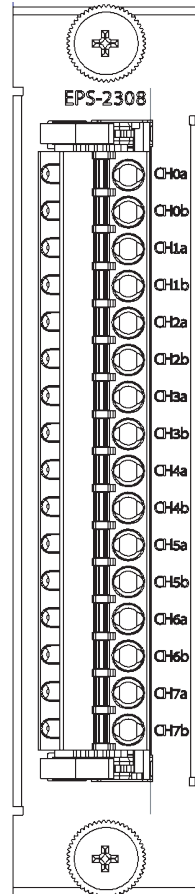
- Supports 8 relay output channels
- Operable in -20°C to 60°C environments
- IEC 61131 compliant
- Hot swappable under sustained power
- Relay lifecycle monitoring
- Module temperature self-diagnostics
- Compact 100 (L) x 100 (H) mm size

Connector

Connector: Weidmuller, OMNIMATE Signal series BL/SL 5.08, 10145300000, pitch=5.08mm, 1x16pin, AWG 12-26 gauge

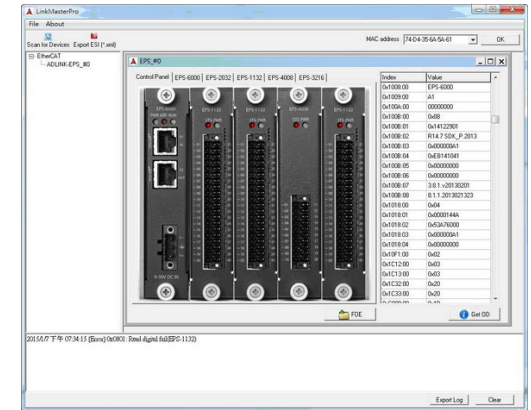
Pin Definitions

Pin	Description
01	RO0a
02	RO0b
03	RO1a
04	RO1b
05	RO2a
06	RO2b
07	RO3a
08	RO3b
09	RO4a
10	RO4b
11	RO5a
12	RO5b
13	RO6a
14	RO6b
15	RO7a
16	RO7b

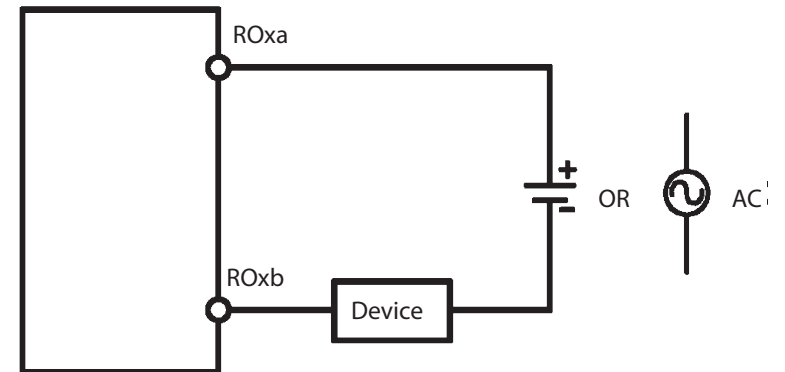


Configuration & ESI Generation

LinkMasterPro™ is a Windows-based utility from ADLINK, helping configuration of the entire EPS system and generating corresponding EtherCAT slave information (referred to ESI) in XML format. LinkMasterPro™ automatically detects installed EPS modules and evaluates functionality of the EPS system.



Signal Connection



Contact ADLINK
 Web: <http://www.adlinktech.com>
 Service: service@adlinktech.com
 Tel: +886-2-8226-5877
 Fax: +886-2-8226-3337
 Copyright 2015 ADLINK Technology, Inc.
 Contents and specifications subject to change without notice.



*Advance Technologies
 Automate the World*