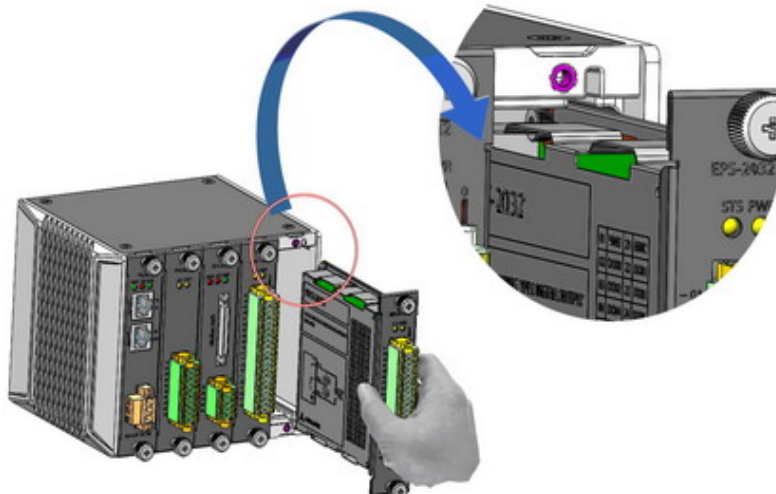
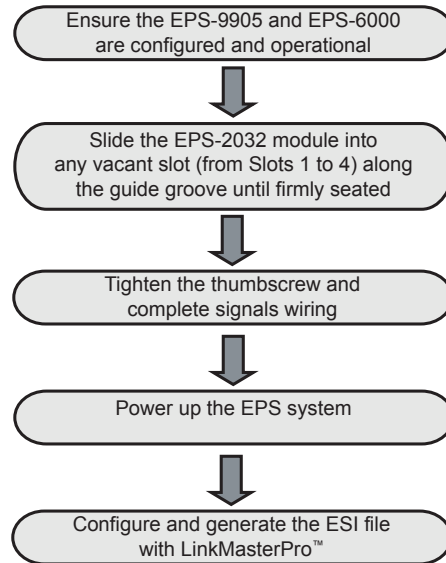


EPS-2032

Remote 32CH Digital Output Module for EtherCAT

Getting Started



Specifications

Channels	32 CH
Output	Sourcing
EVCC Input	12 to 24V \pm 10%
Output Impedance (Rout)	200 Ω
Output Current (Iout)	300mA per CH 800mA per 4-CH
Output Voltage (Vout)	EVCC – (Iout x Rout)
IO Protection Reverse Voltage	None
IO Protection Current Limit	1.2A for 4CH
IO Protection Short Circuit	None
Power On State	Off
Response Time	4KHz
Power Consumption from Chassis	< 400mW (max.)
Thermal Dissipation (@max temp.)	< 2.55W (max.) @ EVCC=24V+10%
Isolation (Channel-to-DGND)	2kV (DC)
Isolation (Channel-to-Chassis)	2kV (DC)

Features

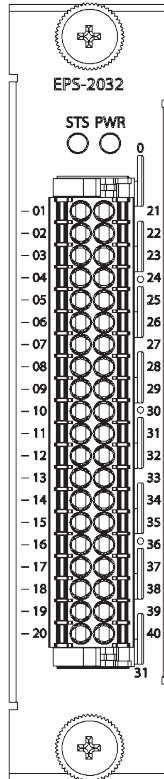
- Supports 32 digital output channels
- IEC 61131-2 compliant
- Sourcing type design
- Individual LED channel indicators
- Operable in -20°C to 60°C environments
- Compact 100 (L) x 100 (H) mm size
- Module temperature self-diagnostics

Connector

Connector: Phoenix Contact, DFMC series, 1787195, pitch=3.5mm, 2x20pin, AWG 16-24 gauge

Pin Definitions

Pin	Description	Pin	Description
01	EVCC	21	EVCC
02	DO00	22	DO01
03	DO02	23	DO03
04	DO04	24	DO05
05	DO06	25	DO07
06	DO08	26	DO09
07	DO10	27	DO11
08	DO12	28	DO13
09	DO14	29	DO15
10	EGND	30	EGND
11	EVCC	31	EVCC
12	DO16	32	DO17
13	DO18	33	DO19
14	DO20	34	DO21
15	DO22	35	DO23
16	DO24	36	DO25
17	DO26	37	DO27
18	DO28	38	DO29
19	DO30	39	DO31
20	EGND	40	EGND

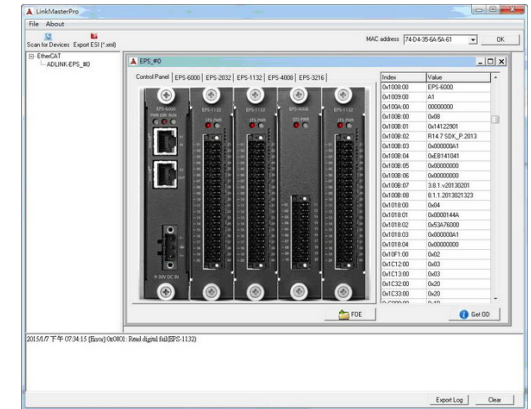


LED Indicators

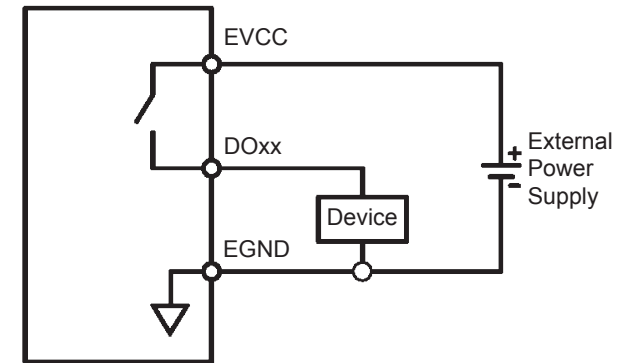
LED	Status	Function
STS	Blinking	Temperature Protection Module Present
PWR	Lit	Module Power Status
Channel (0-3, 4-7, 8-11, 12-15, 16-19, 20-23, 24-27, 28-31)	Lit	Channel Active

Configuration & ESI Generation

LinkMasterPro™ is a Windows-based utility from ADLINK, helping configuration of the entire EPS system and generating corresponding EtherCAT slave information (referred to ESI) in XML format. LinkMasterPro™ automatically detects installed EPS modules and evaluates functionality of the EPS system.



Signal Connection



Contact ADLINK

Web: <http://www.adlinktech.com>
 Service: service@adlinktech.com

Tel: +886-2-8226-5877
 Fax: +886-2-8226-3337

Copyright 2015 ADLINK Technology, Inc.
 Contents and specifications subject to change without notice.



Advance Technologies
Automate the World