

EMD-7201
Ethernet Digital I/O module
User's Manual (V1.0)

健昇科技股份有限公司

JS AUTOMATION CORP.

台北縣汐止市中興路 100 號 6 樓

6F, No. 100, Chungshin Rd.

Shitsu, Taipei, Taiwan, R.O.C.

TEL : 886-2-2647-6936

FAX : 886-2-2647-6940

<http://www.automation.com.tw>

E-mail : control.cards@automation.com.tw

Correction record

Version	Record
1.0	firmware version 1.0 up

Contents

1.	Forward.....	4
2.	Features.....	5
3.	Specifications.....	6
3.1	Digital input	6
3.2	Digital output	6
3.3	Ethernet	6
3.4	General.....	6
4.	Layout and dimensions	7
4.1	EMD7201.....	7
5.	I/O Interface diagram.....	8
5.1	TTL input diagram	8
5.2	General output diagram.....	8
6.	Applications	9
7.	Ordering information	10

Notes on hardware installation

Please register as user's club member to download the
“Step_by_step_installation_of_Ethernet_module” document from <http://automation.com.tw>

1. **Forward**

Thank you for your selection of Ethernet module 7201 digital input output interface.

Thanks to the booming of network, Ethernet become a reliable and low cost solution for data communication. To utilize the Ethernet as data communication highway of industrial control devices is more attractive than ever. EMD720x module is a simple web based digital I/O control module. We also provide the dll's of Window's or Linux system, enabling you coding the flexible application as you need. Stable, high reliability and remote addressable module give you a new approach of application.

In the same series:

- EMD-7201-4 4 TTL input and 4 relay output Ethernet DIO module
- EMD-7201-8 8 TTL input and 8 relay output Ethernet DIO module
- EMD-7201-T 8 TTL input and 8 TTL output Ethernet DIO module

Any comment is welcome,

please visit our website

[http:// www.automation.com.tw](http://www.automation.com.tw) for the up to date information.

2. Features

- Over-voltage protection on digital input
- Various IO combinations
 - 4 TTL input and 4 relay output for EMD7201-4,
 - 8 TTL input and 8 relay output for EMD7201-8,
 - 8 TTL input and 8 Transistor output for EMD7201-T
- IP re-assignment
- Direct web page control
- Wide power range (for EMD7201-T)

3. Specifications

3.1 Digital input

- 3.1.1 Input points: 4 for EMD7201-4
8 for EMD7201-8,EMD7201-T
- 3.1.2 Logic high level: 3.15V(min)
- 3.1.3 Logic low level: 1.35V(max)
- 3.1.4 Over-voltage protection: 60Vdc(max)
- 3.1.5 Over-current protection: 50ma(max)

3.2 Digital output

- 3.2.1 Relay output points: 4 for EMD7201-4
8 for EMD7201-8
- 3.2.2 Relay capacity: 3A@250Vac, 3A @30Vdc
- 3.2.3 Transistor output: 8 for EMD7201-T
- 3.2.4 Transistor capacity: 500ma(peak), 45Vdc(max)

3.3 Ethernet

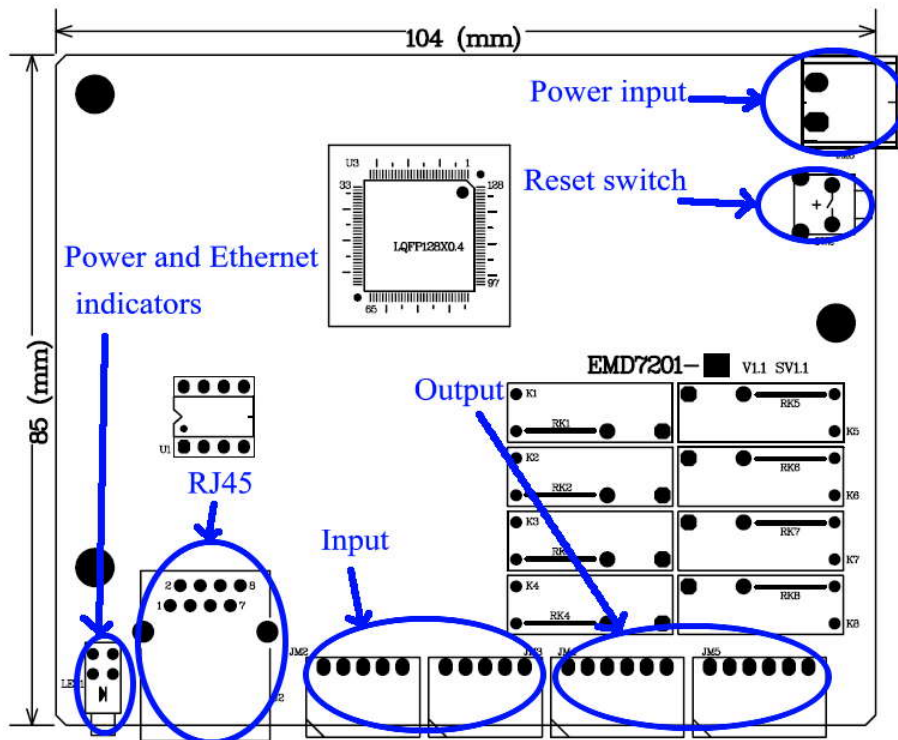
- 3.3.1 10/100M auto switch

3.4 General

- 3.4.1 Power requirement: 22Vdc ~26Vdc for EMD7201-4, EMD7201-8
12Vdc ~26Vdc for EMD7201-T
- 3.4.2 Operation Temperature: 0~+70 degree C
- 3.4.3 Storage Temperature: -20 ~+80 degree C
- 3.4.4 Operation Humidity: 5~95% RH, non-condensing
- 3.4.5 Dimension: 89(D)*110(W)*34(H) mm
3.5(D)*4.33(W)*1.39(H) in

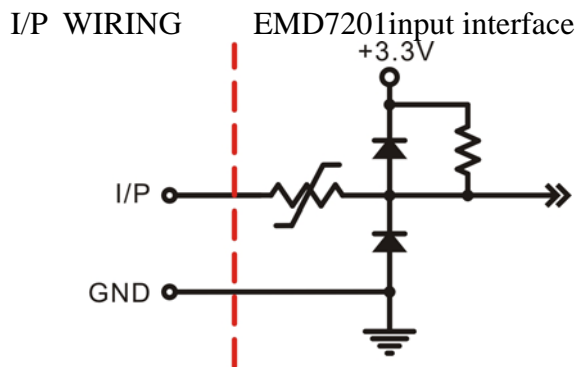
4. Layout and dimensions

4.1 EMD7201

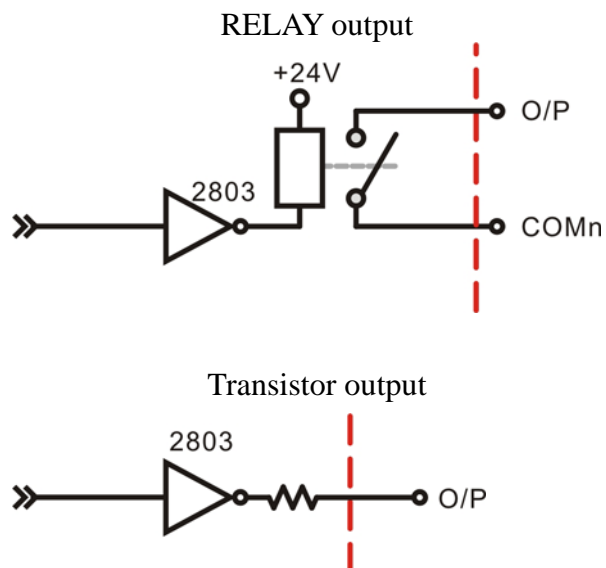


5. I/O Interface diagram

5.1 TTL input diagram



5.2 General output diagram



6. Applications

- For remote contact sensing
 - window or door open/close signal sensing
 - alarm signal sensing
 - fire detector signal sensing
- For remote contact make or break control
 - window or door open close control
 - light control
 - power on/off control

7. Ordering information

PRODUCT	DESCRIPTIONS
EMD7201-4	Ethernet module, 4 TTL input 4 relay output
EMD7201-8	Ethernet module, 8 TTL input 8 relay output
EMD7201-T	Ethernet module, 8 TTL input 8 transistor output
JD52000	110/220Vac to 24Vdc @1.5A power supply
JD52026	110/220Vac to 24Vdc @0.75A power adapter