

# EGX-MXM-P2000

## Mobile PCI Express Module with NVIDIA® Quadro® Embedded P2000

### Features

- Standard MXM 3.1 Type A form factor (82 x 70 mm)
- 768 NVIDIA® CUDA® cores
- 2.3 TFLOPS SP peak performance
- 4GB GDDR5 memory, 128-bit
- 96GB/s maximum memory bandwidth
- Support up to 4 UHD displays, 58W TDP
- 5-year availability



### Introduction

The EGX-MXM-P2000 features advanced NVIDIA Quadro GPU with NVIDIA Pascal™ Architecture technology in MXM 3.1 Type A form factor. The EGX-MXM-P2000 has 768 NVIDIA CUDA cores and a peak single-precision floating-point performance of 2.3 TFLOPS. The EGX-MXM-P2000 has 4GB of GDDR5 memory and supports NVIDIA GPUDirect™ RDMA which helps increase data throughput by up to 80% and consequently system responsiveness by up to 60%\*. Additionally, 4 UHD display outputs and an extended operating temperature range of -40°C to 85°C are supported. The embedded graphics product is suitable for mission-critical harsh-environment edge computing applications with size, weight, and power (SWaP) and network connectivity constraints.

### Ordering Information

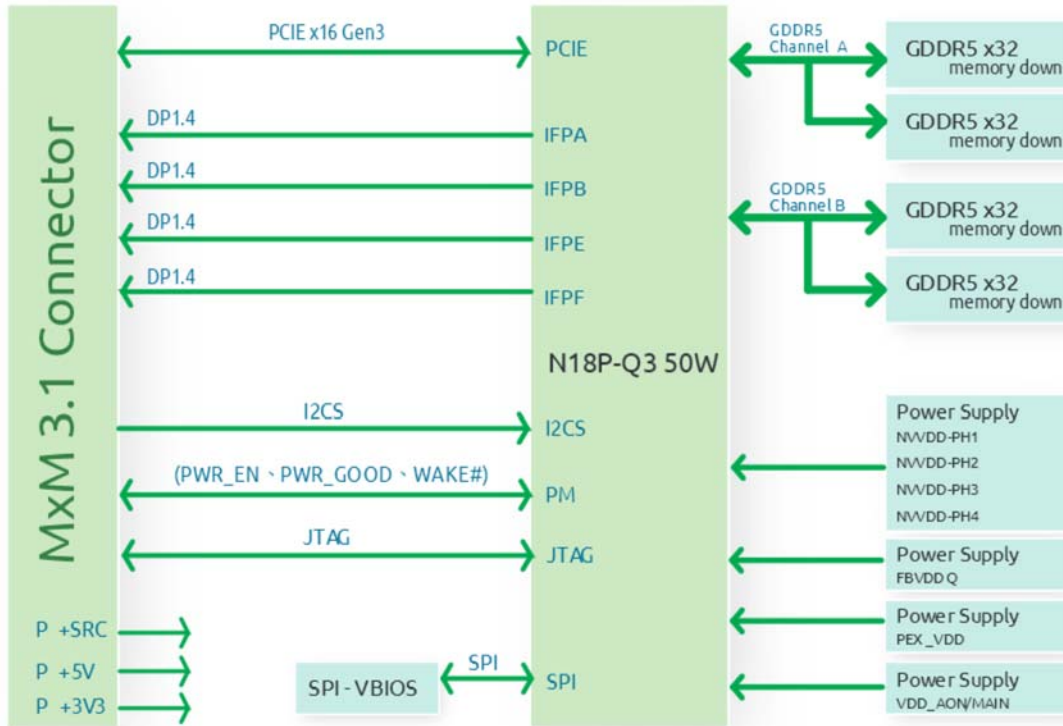
- **EGX-MXM-P2000**  
NVIDIA Quadro Embedded P2000, MXM 3.1 type A, 82 x 70mm, PCIe x16 Gen3

### Specifications

	EGX-MXM-P2000
<b>Graphic Core</b>	
GPU	Quadro® P2000
Memory	4GB GDDR5 memory, 128-bit, Bandwidth: 96 GB/s
<b>GPGPU Computing</b>	
CUDA Cores	768 CUDA® cores, 2.3 TFLOPS SP Peak
Compute API	CUDA Toolkit 8.0, CUDA Compute version 6.1, OpenCL™ 1.2
Graphics API	DirectX® 12, OpenGL 4.5, Vulkan 1.0
<b>Display</b>	
Display Outputs	4x DisplayPort 1.4 digital video outputs (DP++) 4K at 120Hz or 5K at 60Hz
Interface	MXM 3.1, PCI Express Gen3 x16 support
<b>Mechanicals</b>	
Dimensions	82 (W) x 70 (D) x 4.8 (H) mm
Form Factor	Standard MXM 3.1 Type A
<b>Environmental</b>	
Operating Temp.	Standard: 0°C to 55°C, -40°C to 85°C
Storage Temp.	-40°C to 85°C
Module Power Consumption	58W
<b>SW supports</b>	
OS Support	Windows 10 & Linux drivers, 64-bit

\* The software and workloads used in performance tests were optimized for performance on ADLINK platforms. Performance tests are measured using specific computer systems, components, software, operations and functions. Any changes to these factors may cause the results to vary. Contact ADLINK for more complete information about performance and benchmark results.

## Block Diagram



## Mechanical Drawing

